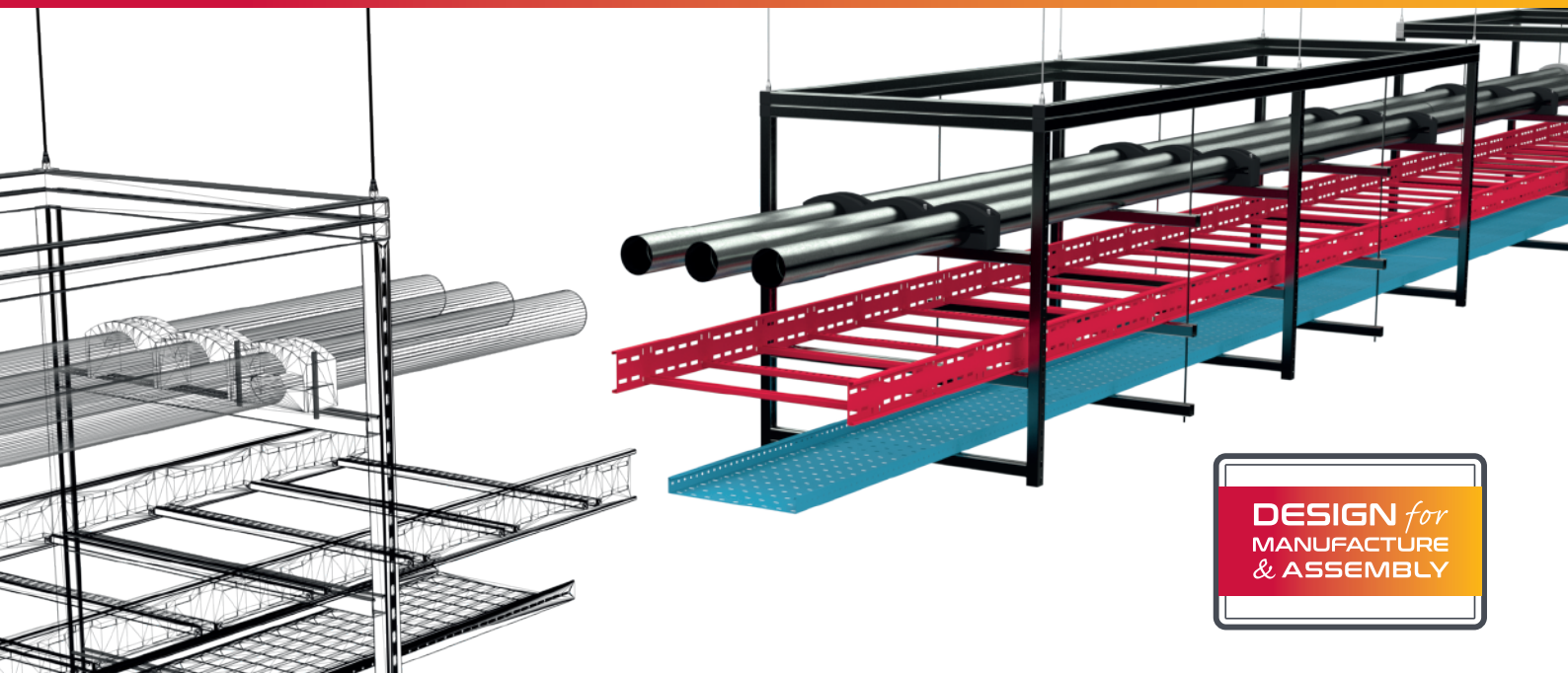


CABLE CONTAINMENT FRAMES, RISERS & MODULES



DESIGN *for*
MANUFACTURE
& ASSEMBLY

MODULAR DATA CENTRE FRAMES

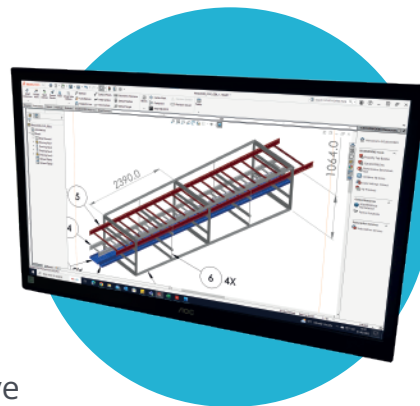
Where projects present unique challenges in terms of navigating cables into and around a building, we provide robust **cable management solutions** to ensure that a system is easy to install, maintain and develop moving forward.



We provide containment module and riser manufacturing to maximise onsite productivity. From single tier Unistrut brackets to multiple 6 metre fully populated containment corridors.




Our CAD team are experienced in value-engineering CMS systems to meet project requirements, challenges, budgets and timescales.



Data centres are a great example of where we've developed fast-install containment modules.

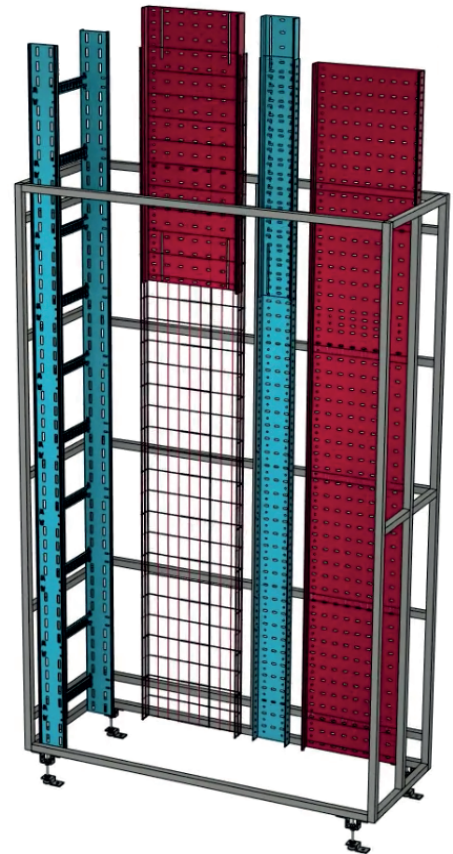
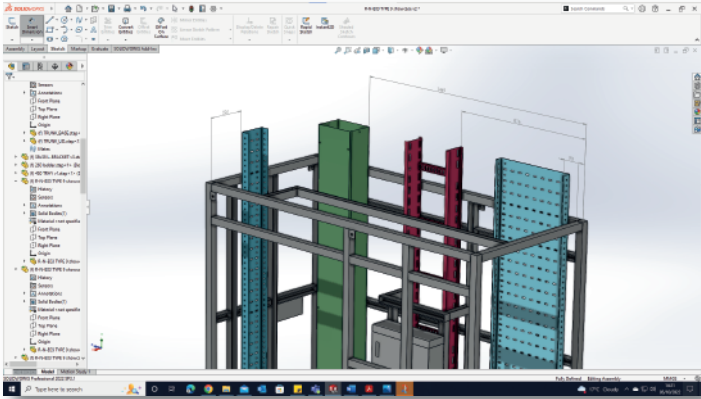


We become trusted advisors to deliver project certainty:

- Labour Certainty
- Time Certainty
- Cost Certainty
- Factory Quality Certainty
- Carbon Certainty 



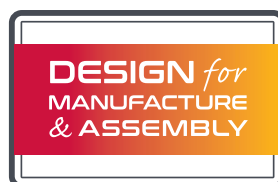
MODULAR SERVICE RISERS



Our unique selling point is our collaborative design approach - we are quickly able to adapt our proposition to respond to our customer needs.

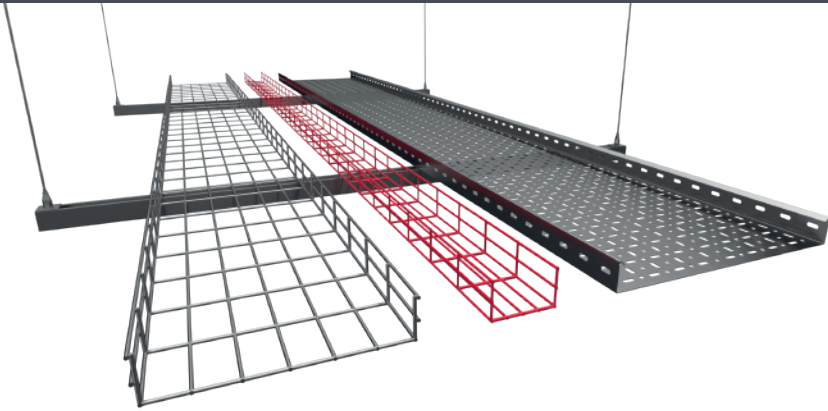
Our expertise in production techniques and materials allows us to **value engineer** your designs for optimum manufacture, to always offer the best value.

Our containment modules are delivered direct to site, allowing for a highly efficient and effective installation, saving time, labour and cost.



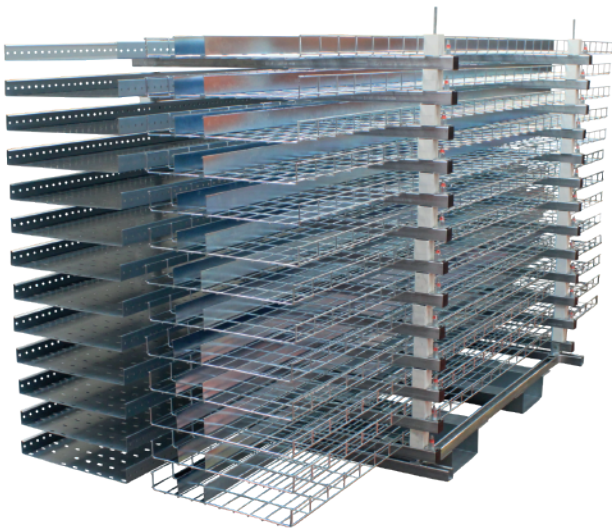
MANUFACTURING
the **difference**

MODULAR WAREHOUSE SOLUTIONS



**HIGH
VOLUME
PRODUCTION**

**HIGH
SPEED
INSTALLATION**



We develop bespoke made to size **Cable Management System** solutions delivered to site in cassettes.

We partner with you to understand the complex logistics of multiple deliveries to site schedules and are proud to offer a seamless design-to-deliver solution.

This just-in-time method enables a smoother project workflow whilst also reducing labour and material waste.

DESIGN *for*
**MANUFACTURE
& ASSEMBLY**

