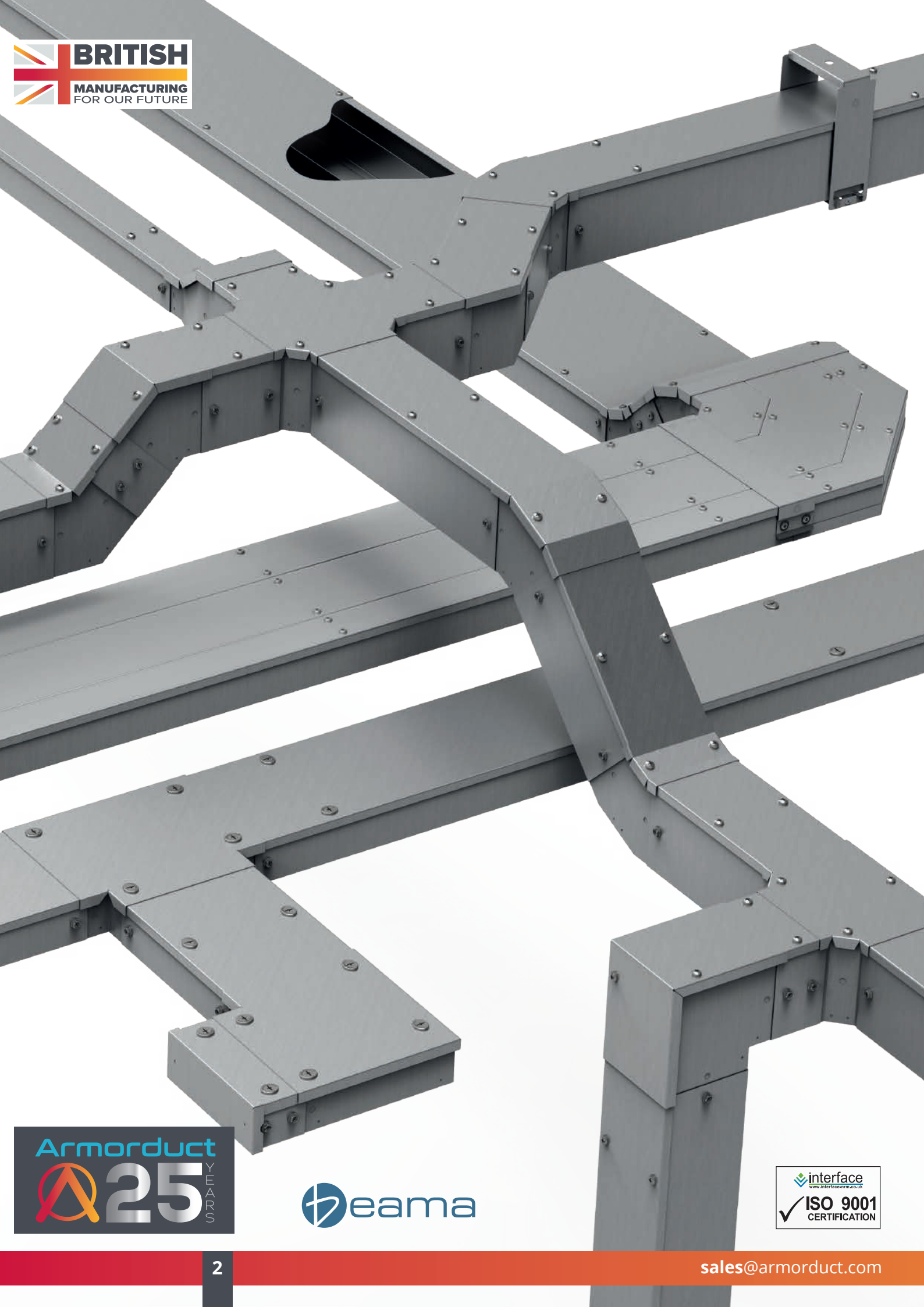


Cable Trunking Systems

IP4X
COMPLIANT



With over 25 years experience of UK design and manufacturing, we are continually enhancing our cable trunking to suit your needs. Our new range is IP4X compliant as standard, so no need to order additional components.

**IP4X
COMPLIANT**

FAST – No need to install or order additional components as all lengths & fittings are fully IP4X compliant
VERSATILE – Single & multi-compartment trunking solutions, plus lid-fixing options to suit every application
SPECIALIST – Contact our in-house experts for custom versions and bespoke product needs
QUALITY – Designed and manufactured in Britain to BS EN 9001 and compliant with BS EN 50085-2-1



- **Lid Fixing Options for Every Installation**
FAST-FIT TURNBUCKLE, SCREWBUSH OR TAMPERPROOF
- **All Fittings Feature Integrated IP4X Coupling**
LENGTHS INCLUDE COUPLERS & MULTI-HEAD SERRATED SCREW FIXINGS
- **Built-In Earth Knockout on Fittings**
NO NEED TO DRILL ADDITIONAL HOLES FOR EARTHING LINKS
- **BIM Compliant Models Available**
DOWNLOADABLE 3D CAD MODELS OF COMPONENTS IN STANDARD FORMATS

Armorduct are the UK's leading independent manufacturer of cable containment systems.

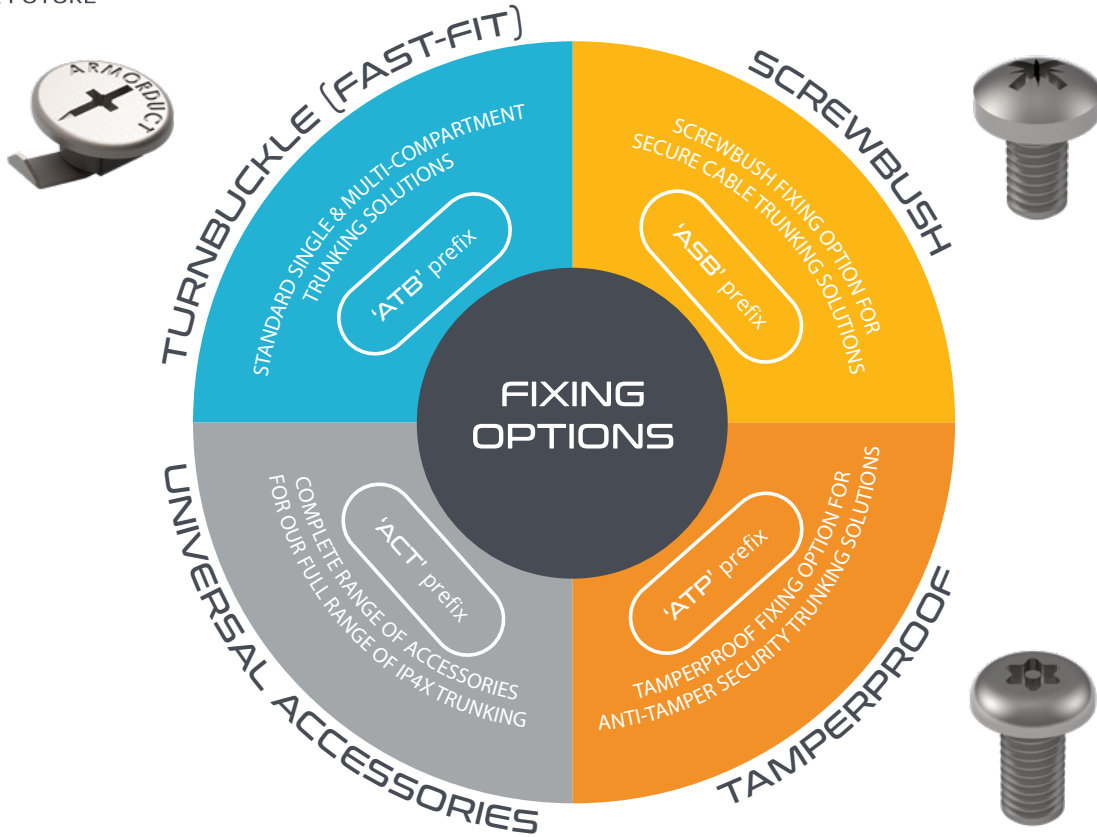
We specialise in providing the perfect cable management solutions for every project, large or small, using our in-house design and manufacturing capabilities.

We also continually strive to improve our materials and manufacturing processes to reduce embodied carbon and enhance the sustainability of our products.

01384 233445



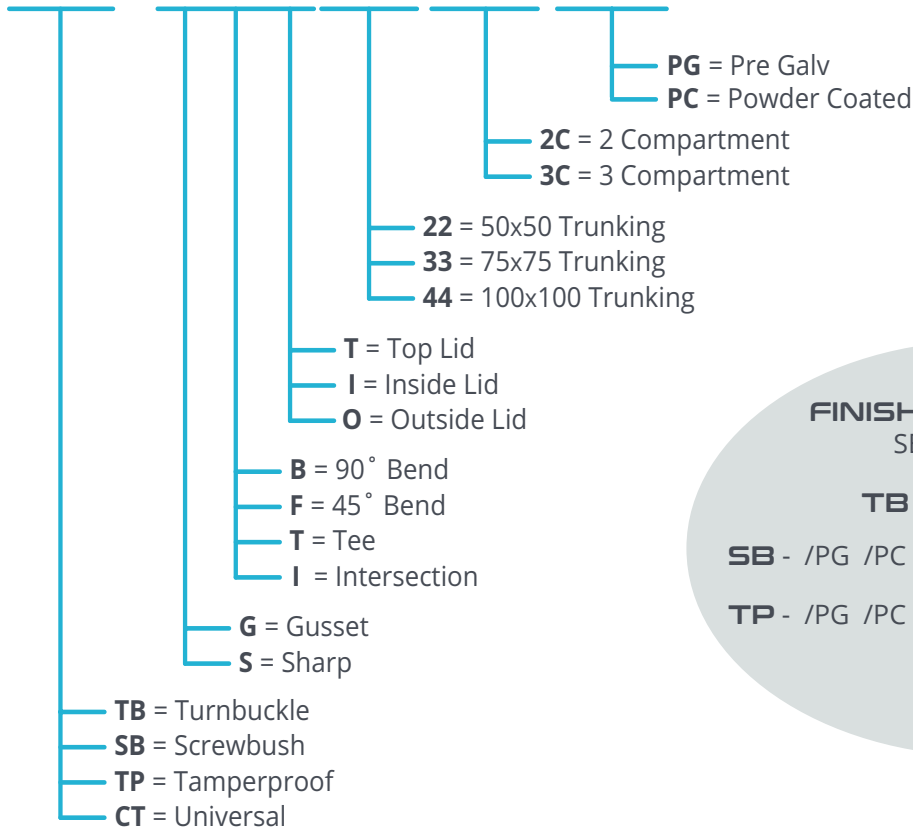
• ORDERING INFORMATION	page 4	• SCREWBUSH ACCESSORIES	page 40-41
• LENGTHS	page 5	• TAMPERPROOF ACCESSORIES	page 42-44
• FITTINGS	page 6-33	• FINISHES	page 47
• UNIVERSAL ACCESSORIES	page 34-38	• TECHNICAL SPECIFICATION	page 48



PARTCODE BUILDER

LID FIX FITTING SIZE COMP FINISH

A | XX | - | XXXXX | - XX | / XX |



CALL
01384
233445

FINISHES AVAILABLE
SEE MORE P.47

TB - /PG /PC /CPC

SB - /PG /PC /CPC /MAG /SS304 /SS316

TP - /PG /PC /CPC /MAG /SS304 /SS316

TRUNKING LENGTH PRE-GALV 3m

FOR ALTERNATIVE FINISH OPTIONS PLEASE SEE P.47



ATB

SUPPLIED AS BODY, LID AND COUPLERS

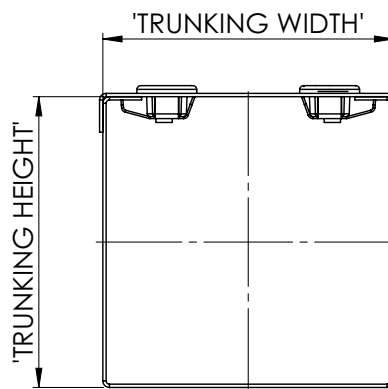
ATB - TURNBUCKLE



ASB - SCREWBUSH



ATP - TAMPERPROOF



IP4X
COMPLIANT

Turnbuckle	Screwbush	Tamperproof	Width	Height	Length	2 Comp	3 Comp	4 Comp
ATB22/PG	ASB22/PG	ATP22/PG	50mm	50mm	3000mm	-2C/PG	X	X
ATB32/PG	ASB32/PG	ATP32/PG	75mm	50mm	3000mm	-2C/PG	X	X
ATB33/PG	ASB33/PG	ATP33/PG	75mm	75mm	3000mm	-2C/PG	X	X
ATB42/PG	ASB42/PG	ATP42/PG	100mm	50mm	3000mm	-2C/PG	X	X
ATB43/PG	ASB43/PG	ATP43/PG	100mm	75mm	3000mm	-2C/PG	X	X
ATB44/PG	ASB44/PG	ATP44/PG	100mm	100mm	3000mm	-2C/PG	X	X
ATB62/PG	ASB62/PG	ATP62/PG	150mm	50mm	3000mm	-2C/PG	-3C/PG	X
ATB63/PG	ASB63/PG	ATP63/PG	150mm	75mm	3000mm	-2C/PG	-3C/PG	X
ATB64/PG	ASB64/PG	ATP64/PG	150mm	100mm	3000mm	-2C/PG	-3C/PG	X
ATB66/PG	ASB66/PG	ATP66/PG	150mm	150mm	3000mm	-2C/PG	-3C/PG	X
ATB82/PG	ASB82/PG	ATP82/PG	200mm	50mm	3000mm	-2C/PG	-3C/PG	-4C/PG
ATB83/PG	ASB83/PG	ATP83/PG	200mm	75mm	3000mm	-2C/PG	-3C/PG	-4C/PG
ATB84/PG	ASB84/PG	ATP84/PG	200mm	100mm	3000mm	-2C/PG	-3C/PG	-4C/PG
ATB86/PG	ASB86/PG	ATP86/PG	200mm	150mm	3000mm	-2C/PG	-3C/PG	-4C/PG
ATB88/PG	ASB88/PG	ATP88/PG	200mm	200mm	3000mm	-2C/PG	-3C/PG	-4C/PG
ATB92/PG	ASB92/PG	ATP92/PG	225mm	50mm	3000mm	-2C/PG	-3C/PG	-4C/PG
ATB93/PG	ASB93/PG	ATP93/PG	225mm	75mm	3000mm	-2C/PG	-3C/PG	-4C/PG
ATB94/PG	ASB94/PG	ATP94/PG	225mm	100mm	3000mm	-2C/PG	-3C/PG	-4C/PG
ATB96/PG	ASB96/PG	ATP96/PG	225mm	150mm	3000mm	-2C/PG	-3C/PG	-4C/PG
ATB99/PG	ASB99/PG	ATP99/PG	225mm	225mm	3000mm	-2C/PG	-3C/PG	-4C/PG
ATB122/PG	ASB122/PG	ATP122/PG	300mm	50mm	3000mm	-2C/PG	-3C/PG	-4C/PG
ATB123/PG	ASB123/PG	ATP123/PG	300mm	75mm	3000mm	-2C/PG	-3C/PG	-4C/PG
ATB124/PG	ASB124/PG	ATP124/PG	300mm	100mm	3000mm	-2C/PG	-3C/PG	-4C/PG
ATB126/PG	ASB126/PG	ATP126/PG	300mm	150mm	3000mm	-2C/PG	-3C/PG	-4C/PG
ATB128/PG	ASB128/PG	ATP128/PG	300mm	200mm	3000mm	-2C/PG	-3C/PG	-4C/PG
ATB129/PG	ASB129/PG	ATP129/PG	300mm	225mm	3000mm	-2C/PG	-3C/PG	-4C/PG
ATB1212/PG	ASB1212/PG	ATP1212/PG	300mm	300mm	3000mm	-2C/PG	-3C/PG	-4C/PG

Screwbush Information p.40 - Tamperproof Information p.42 - Technical Specification p.48



ATB-GBT

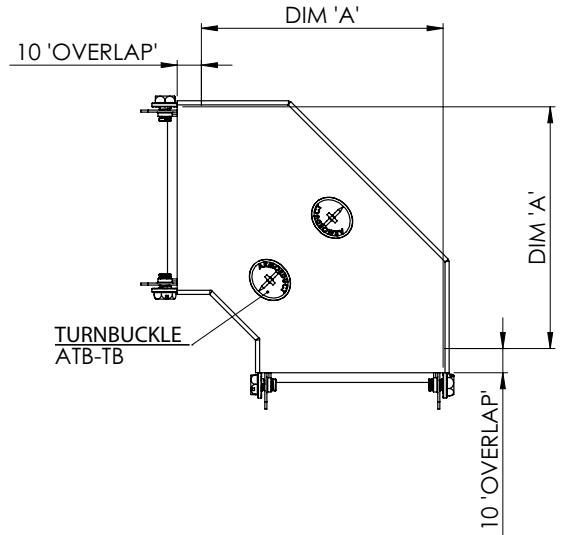
ATB - TURNBUCKLE



ASB - SCREWBUSH



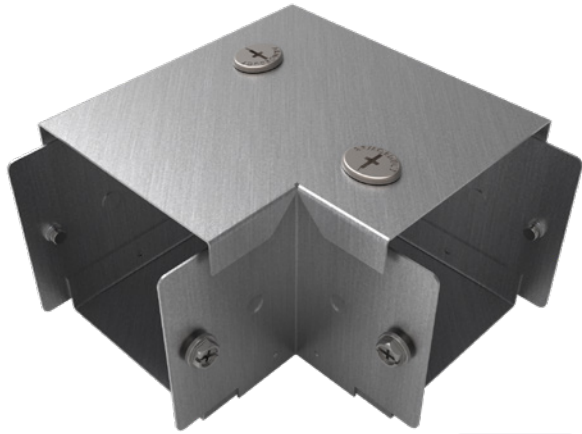
ATP-TAMPERPROOF



Turnbuckle	Screwbush	Tamperproof	Width	Height	Dim A	2 Comp	3 Comp	4 Comp
ATB-GBT22/PG	ASB-GBT22/PG	ATP-GBT22/PG	50mm	50mm	75mm	-2C/PG	X	X
ATB-GBT32/PG	ASB-GBT32/PG	ATP-GBT32/PG	75mm	50mm	100mm	-2C/PG	X	X
ATB-GBT33/PG	ASB-GBT33/PG	ATP-GBT33/PG	75mm	75mm	100mm	-2C/PG	X	X
ATB-GBT42/PG	ASB-GBT42/PG	ATP-GBT42/PG	100mm	50mm	125mm	-2C/PG	X	X
ATB-GBT43/PG	ASB-GBT43/PG	ATP-GBT43/PG	100mm	75mm	125mm	-2C/PG	X	X
ATB-GBT44/PG	ASB-GBT44/PG	ATP-GBT44/PG	100mm	100mm	125mm	-2C/PG	X	X
ATB-GBT62/PG	ASB-GBT62/PG	ATP-GBT62/PG	150mm	50mm	175mm	-2C/PG	-3C/PG	X
ATB-GBT63/PG	ASB-GBT63/PG	ATP-GBT63/PG	150mm	75mm	175mm	-2C/PG	-3C/PG	X
ATB-GBT64/PG	ASB-GBT64/PG	ATP-GBT64/PG	150mm	100mm	175mm	-2C/PG	-3C/PG	X
ATB-GBT66/PG	ASB-GBT66/PG	ATP-GBT66/PG	150mm	150mm	175mm	-2C/PG	-3C/PG	X
ATB-GBT82/PG	ASB-GBT82/PG	ATP-GBT82/PG	200mm	50mm	225mm	-2C/PG	-3C/PG	-4C/PG
ATB-GBT83/PG	ASB-GBT83/PG	ATP-GBT83/PG	200mm	75mm	225mm	-2C/PG	-3C/PG	-4C/PG
ATB-GBT84/PG	ASB-GBT84/PG	ATP-GBT84/PG	200mm	100mm	225mm	-2C/PG	-3C/PG	-4C/PG
ATB-GBT86/PG	ASB-GBT86/PG	ATP-GBT86/PG	200mm	150mm	225mm	-2C/PG	-3C/PG	-4C/PG
ATB-GBT88/PG	ASB-GBT88/PG	ATP-GBT88/PG	200mm	200mm	225mm	-2C/PG	-3C/PG	-4C/PG
ATB-GBT92/PG	ASB-GBT92/PG	ATP-GBT92/PG	225mm	50mm	250mm	-2C/PG	-3C/PG	-4C/PG
ATB-GBT93/PG	ASB-GBT93/PG	ATP-GBT93/PG	225mm	75mm	250mm	-2C/PG	-3C/PG	-4C/PG
ATB-GBT94/PG	ASB-GBT94/PG	ATP-GBT94/PG	225mm	100mm	250mm	-2C/PG	-3C/PG	-4C/PG
ATB-GBT96/PG	ASB-GBT96/PG	ATP-GBT96/PG	225mm	150mm	250mm	-2C/PG	-3C/PG	-4C/PG
ATB-GBT99/PG	ASB-GBT99/PG	ATP-GBT99/PG	225mm	225mm	250mm	-2C/PG	-3C/PG	-4C/PG
ATB-GBT122/PG	ASB-GBT122/PG	ATP-GBT122/PG	300mm	50mm	325mm	-2C/PG	-3C/PG	-4C/PG
ATB-GBT123/PG	ASB-GBT123/PG	ATP-GBT123/PG	300mm	75mm	325mm	-2C/PG	-3C/PG	-4C/PG
ATB-GBT124/PG	ASB-GBT124/PG	ATP-GBT124/PG	300mm	100mm	325mm	-2C/PG	-3C/PG	-4C/PG
ATB-GBT126/PG	ASB-GBT126/PG	ATP-GBT126/PG	300mm	150mm	325mm	-2C/PG	-3C/PG	-4C/PG
ATB-GBT128/PG	ASB-GBT128/PG	ATP-GBT128/PG	300mm	200mm	325mm	-2C/PG	-3C/PG	-4C/PG
ATB-GBT129/PG	ASB-GBT129/PG	ATP-GBT129/PG	300mm	225mm	325mm	-2C/PG	-3C/PG	-4C/PG
ATB-GBT1212/PG	ASB-GBT1212/PG	ATP-GBT-1212/PG	300mm	300mm	325mm	-2C/PG	-3C/PG	-4C/PG

SHARP 90° BEND TOP LID PRE-GALV

FOR ALTERNATIVE FINISH OPTIONS PLEASE SEE P.47



ATB-SBT

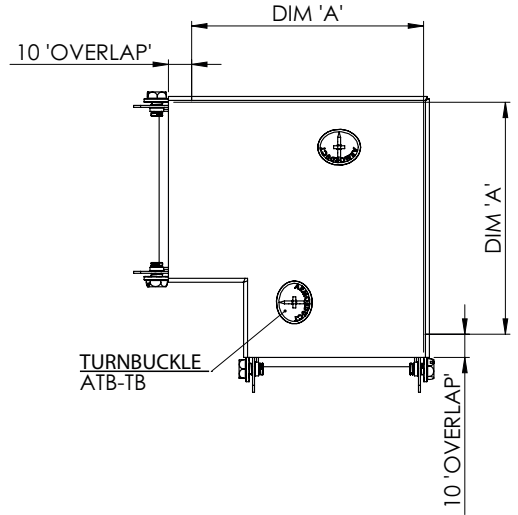
ATB - TURNBUCKLE



ASB - SCREWBUSH



ATP-TAMPERPROOF



Turnbuckle	Screwbush	Tamperproof	Width	Height	Dim A	2 Comp	3 Comp	4 Comp
ATB-SBT22/PG	ASB-SBT22/PG	ATP-SBT22/PG	50mm	50mm	75mm	-2C/PG	X	X
ATB-SBT32/PG	ASB-SBT32/PG	ATP-SBT32/PG	75mm	50mm	100mm	-2C/PG	X	X
ATB-SBT33/PG	ASB-SBT33/PG	ATP-SBT33/PG	75mm	75mm	100mm	-2C/PG	X	X
ATB-SBT42/PG	ASB-SBT42/PG	ATP-SBT42/PG	100mm	50mm	125mm	-2C/PG	X	X
ATB-SBT43/PG	ASB-SBT43/PG	ATP-SBT43/PG	100mm	75mm	125mm	-2C/PG	X	X
ATB-SBT44/PG	ASB-SBT44/PG	ATP-SBT44/PG	100mm	100mm	125mm	-2C/PG	X	X
ATB-SBT62/PG	ASB-SBT62/PG	ATP-SBT62/PG	150mm	50mm	175mm	-2C/PG	-3C/PG	X
ATB-SBT63/PG	ASB-SBT63/PG	ATP-SBT63/PG	150mm	75mm	175mm	-2C/PG	-3C/PG	X
ATB-SBT64/PG	ASB-SBT64/PG	ATP-SBT64/PG	150mm	100mm	175mm	-2C/PG	-3C/PG	X
ATB-SBT66/PG	ASB-SBT66/PG	ATP-SBT66/PG	150mm	150mm	175mm	-2C/PG	-3C/PG	X
ATB-SBT82/PG	ASB-SBT82/PG	ATP-SBT82/PG	200mm	50mm	225mm	-2C/PG	-3C/PG	-4C/PG
ATB-SBT83/PG	ASB-SBT83/PG	ATP-SBT83/PG	200mm	75mm	225mm	-2C/PG	-3C/PG	-4C/PG
ATB-SBT84/PG	ASB-SBT84/PG	ATP-SBT84/PG	200mm	100mm	225mm	-2C/PG	-3C/PG	-4C/PG
ATB-SBT86/PG	ASB-SBT86/PG	ATP-SBT86/PG	200mm	150mm	225mm	-2C/PG	-3C/PG	-4C/PG
ATB-SBT88/PG	ASB-SBT88/PG	ATP-SBT88/PG	200mm	200mm	225mm	-2C/PG	-3C/PG	-4C/PG
ATB-SBT92/PG	ASB-SBT92/PG	ATP-SBT92/PG	225mm	50mm	250mm	-2C/PG	-3C/PG	-4C/PG
ATB-SBT93/PG	ASB-SBT93/PG	ATP-SBT93/PG	225mm	75mm	250mm	-2C/PG	-3C/PG	-4C/PG
ATB-SBT94/PG	ASB-SBT94/PG	ATP-SBT94/PG	225mm	100mm	250mm	-2C/PG	-3C/PG	-4C/PG
ATB-SBT96/PG	ASB-SBT96/PG	ATP-SBT96/PG	225mm	150mm	250mm	-2C/PG	-3C/PG	-4C/PG
ATB-SBT99/PG	ASB-SBT99/PG	ATP-SBT99/PG	225mm	225mm	250mm	-2C/PG	-3C/PG	-4C/PG
ATB-SBT122/PG	ASB-SBT122/PG	ATP-SBT122/PG	300mm	50mm	325mm	-2C/PG	-3C/PG	-4C/PG
ATB-SBT123/PG	ASB-SBT123/PG	ATP-SBT123/PG	300mm	75mm	325mm	-2C/PG	-3C/PG	-4C/PG
ATB-SBT124/PG	ASB-SBT124/PG	ATP-SBT124/PG	300mm	100mm	325mm	-2C/PG	-3C/PG	-4C/PG
ATB-SBT126/PG	ASB-SBT126/PG	ATP-SBT126/PG	300mm	150mm	325mm	-2C/PG	-3C/PG	-4C/PG
ATB-SBT128/PG	ASB-SBT128/PG	ATP-SBT128/PG	300mm	200mm	325mm	-2C/PG	-3C/PG	-4C/PG
ATB-SBT129/PG	ASB-SBT129/PG	ATP-SBT129/PG	300mm	225mm	325mm	-2C/PG	-3C/PG	-4C/PG
ATB-SBT1212/PG	ASB-SBT1212/PG	ATP-SBT1212/PG	300mm	300mm	325mm	-2C/PG	-3C/PG	-4C/PG



ATB-GBI

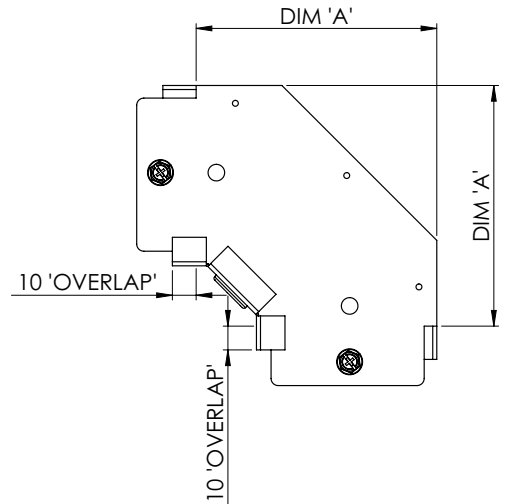
ATB - TURNBUCKLE



ASB - SCREWBUSH



ATP-TAMPERPROOF



Turnbuckle	Screwbush	Tamperproof	Width	Height	Dim A	2 Comp	3 Comp	4 Comp
ATB-GBI22/PG	ASB-GBI22/PG	ATP-GBI22/PG	50mm	50mm	75mm	-2C/PG	X	X
ATB-GBI32/PG	ASB-GBI32/PG	ATP-GBI32/PG	75mm	50mm	100mm	-2C/PG	X	X
ATB-GBI33/PG	ASB-GBI33/PG	ATP-GBI33/PG	75mm	75mm	100mm	-2C/PG	X	X
ATB-GBI42/PG	ASB-GBI42/PG	ATP-GBI42/PG	100mm	50mm	125mm	-2C/PG	X	X
ATB-GBI43/PG	ASB-GBI43/PG	ATP-GBI43/PG	100mm	75mm	125mm	-2C/PG	X	X
ATB-GBI44/PG	ASB-GBI44/PG	ATP-GBI44/PG	100mm	100mm	125mm	-2C/PG	X	X
ATB-GBI62/PG	ASB-GBI62/PG	ATP-GBI62/PG	150mm	50mm	175mm	-2C/PG	-3C/PG	X
ATB-GBI63/PG	ASB-GBI63/PG	ATP-GBI63/PG	150mm	75mm	175mm	-2C/PG	-3C/PG	X
ATB-GBI64/PG	ASB-GBI64/PG	ATP-GBI64/PG	150mm	100mm	175mm	-2C/PG	-3C/PG	X
ATB-GBI66/PG	ASB-GBI66/PG	ATP-GBI66/PG	150mm	150mm	175mm	-2C/PG	-3C/PG	X
ATB-GBI82/PG	ASB-GBI82/PG	ATP-GBI82/PG	200mm	50mm	225mm	-2C/PG	-3C/PG	-4C/PG
ATB-GBI83/PG	ASB-GBI83/PG	ATP-GBI83/PG	200mm	75mm	225mm	-2C/PG	-3C/PG	-4C/PG
ATB-GBI84/PG	ASB-GBI84/PG	ATP-GBI84/PG	200mm	100mm	225mm	-2C/PG	-3C/PG	-4C/PG
ATB-GBI86/PG	ASB-GBI86/PG	ATP-GBI86/PG	200mm	150mm	225mm	-2C/PG	-3C/PG	-4C/PG
ATB-GBI88/PG	ASB-GBI88/PG	ATP-GBI88/PG	200mm	200mm	225mm	-2C/PG	-3C/PG	-4C/PG
ATB-GBI92/PG	ASB-GBI92/PG	ATP-GBI92/PG	225mm	50mm	250mm	-2C/PG	-3C/PG	-4C/PG
ATB-GBI93/PG	ASB-GBI93/PG	ATP-GBI93/PG	225mm	75mm	250mm	-2C/PG	-3C/PG	-4C/PG
ATB-GBI94/PG	ASB-GBI94/PG	ATP-GBI94/PG	225mm	100mm	250mm	-2C/PG	-3C/PG	-4C/PG
ATB-GBI96/PG	ASB-GBI96/PG	ATP-GBI96/PG	225mm	150mm	250mm	-2C/PG	-3C/PG	-4C/PG
ATB-GBI99/PG	ASB-GBI99/PG	ATP-GBI99/PG	225mm	225mm	250mm	-2C/PG	-3C/PG	-4C/PG
ATB-GBI122/PG	ASB-GBI122/PG	ATP-GBI122/PG	300mm	50mm	325mm	-2C/PG	-3C/PG	-4C/PG
ATB-GBI123/PG	ASB-GBI123/PG	ATP-GBI123/PG	300mm	75mm	325mm	-2C/PG	-3C/PG	-4C/PG
ATB-GBI124/PG	ASB-GBI124/PG	ATP-GBI124/PG	300mm	100mm	325mm	-2C/PG	-3C/PG	-4C/PG
ATB-GBI126/PG	ASB-GBI126/PG	ATP-GBI126/PG	300mm	150mm	325mm	-2C/PG	-3C/PG	-4C/PG
ATB-GBI128/PG	ASB-GBI128/PG	ATP-GBI128/PG	300mm	200mm	325mm	-2C/PG	-3C/PG	-4C/PG
ATB-GBI129/PG	ASB-GBI129/PG	ATP-GBI129/PG	300mm	225mm	325mm	-2C/PG	-3C/PG	-4C/PG
ATB-GBI1212/PG	ASB-GBI1212/PG	ATP-GBI1212/PG	300mm	300mm	325mm	-2C/PG	-3C/PG	-4C/PG

SHARP 90° BEND INSIDE LID PRE-GALV
FOR ALTERNATIVE FINISH OPTIONS PLEASE SEE P.47



ATB-SBI

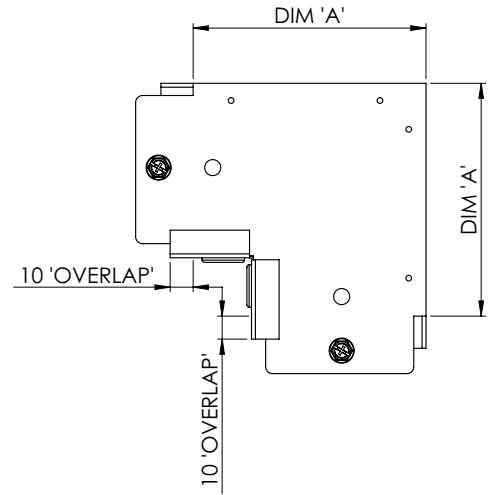
ATB - TURNBUCKLE



ASB - SCREWBUSH



ATP-TAMPERPROOF



Turnbuckle	Screwbush	Tamperproof	Width	Height	Dim A	2 Comp	3 Comp	4 Comp
ATB-SBI22/PG	ASB-SBI22/PG	ATP-SBI22/PG	50mm	50mm	76mm	-2C/PG	X	X
ATB-SBI32/PG	ASB-SBI32/PG	ATP-SBI32/PG	75mm	50mm	76mm	-2C/PG	X	X
ATB-SBI33/PG	ASB-SBI33/PG	ATP-SBI33/PG	75mm	75mm	101mm	-2C/PG	X	X
ATB-SBI42/PG	ASB-SBI42/PG	ATP-SBI42/PG	100mm	50mm	76mm	-2C/PG	X	X
ATB-SBI43/PG	ASB-SBI43/PG	ATP-SBI43/PG	100mm	75mm	101mm	-2C/PG	X	X
ATB-SBI44/PG	ASB-SBI44/PG	ATP-SBI44/PG	100mm	100mm	126mm	-2C/PG	X	X
ATB-SBI62/PG	ASB-SBI62/PG	ATP-SBI62/PG	150mm	50mm	76mm	-2C/PG	-3C/PG	X
ATB-SBI63/PG	ASB-SBI63/PG	ATP-SBI63/PG	150mm	75mm	101mm	-2C/PG	-3C/PG	X
ATB-SBI64/PG	ASB-SBI64/PG	ATP-SBI64/PG	150mm	100mm	126mm	-2C/PG	-3C/PG	X
ATB-SBI66/PG	ASB-SBI66/PG	ATP-SBI66/PG	150mm	150mm	176mm	-2C/PG	-3C/PG	X
ATB-SBI82/PG	ASB-SBI82/PG	ATP-SBI82/PG	200mm	50mm	76mm	-2C/PG	-3C/PG	-4C/PG
ATB-SBI83/PG	ASB-SBI83/PG	ATP-SBI83/PG	200mm	75mm	101mm	-2C/PG	-3C/PG	-4C/PG
ATB-SBI84/PG	ASB-SBI84/PG	ATP-SBI84/PG	200mm	100mm	126mm	-2C/PG	-3C/PG	-4C/PG
ATB-SBI86/PG	ASB-SBI86/PG	ATP-SBI86/PG	200mm	150mm	176mm	-2C/PG	-3C/PG	-4C/PG
ATB-SBI88/PG	ASB-SBI88/PG	ATP-SBI88/PG	200mm	200mm	226mm	-2C/PG	-3C/PG	-4C/PG
ATB-SBI92/PG	ASB-SBI92/PG	ATP-SBI92/PG	225mm	50mm	76mm	-2C/PG	-3C/PG	-4C/PG
ATB-SBI93/PG	ASB-SBI93/PG	ATP-SBI93/PG	225mm	75mm	101mm	-2C/PG	-3C/PG	-4C/PG
ATB-SBI94/PG	ASB-SBI94/PG	ATP-SBI94/PG	225mm	100mm	126mm	-2C/PG	-3C/PG	-4C/PG
ATB-SBI96/PG	ASB-SBI96/PG	ATP-SBI96/PG	225mm	150mm	176mm	-2C/PG	-3C/PG	-4C/PG
ATB-SBI99/PG	ASB-SBI99/PG	ATP-SBI99/PG	225mm	225mm	251mm	-2C/PG	-3C/PG	-4C/PG
ATB-SBI122/PG	ASB-SBI122/PG	ATP-SBI122/PG	300mm	50mm	76mm	-2C/PG	-3C/PG	-4C/PG
ATB-SBI123/PG	ASB-SBI123/PG	ATP-SBI123/PG	300mm	75mm	101mm	-2C/PG	-3C/PG	-4C/PG
ATB-SBI124/PG	ASB-SBI124/PG	ATP-SBI124/PG	300mm	100mm	126mm	-2C/PG	-3C/PG	-4C/PG
ATB-SBI126/PG	ASB-SBI126/PG	ATP-SBI126/PG	300mm	150mm	176mm	-2C/PG	-3C/PG	-4C/PG
ATB-SBI128/PG	ASB-SBI128/PG	ATP-SBI128/PG	300mm	200mm	226mm	-2C/PG	-3C/PG	-4C/PG
ATB-SBI129/PG	ASB-SBI129/PG	ATP-SBI129/PG	300mm	225mm	251mm	-2C/PG	-3C/PG	-4C/PG
ATB-SBI1212/PG	ASB-SBI1212/PG	ATP-SBI1212/PG	300mm	300mm	326mm	-2C/PG	-3C/PG	-4C/PG

GUSSET 90° BEND OUTSIDE LID PRE-GALV
FOR ALTERNATIVE FINISH OPTIONS PLEASE SEE P.47



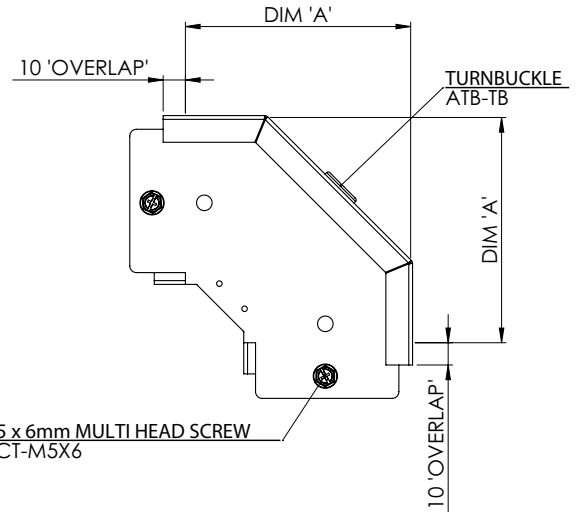
ATB - TURNBUCKLE



ASB - SCREWBUSH



ATP-TAMPERPROOF



Turnbuckle	Screwbush	Tamperproof	Width	Height	Dim A	2 Comp	3 Comp	4 Comp
ATB-GBO22/PG	ASB-GBO22/PG	ATP-GBO22/PG	50mm	50mm	76mm	-2C/PG	X	X
ATB-GBO32/PG	ASB-GBO32/PG	ATP-GBO32/PG	75mm	50mm	76mm	-2C/PG	X	X
ATB-GBO33/PG	ASB-GBO33/PG	ATP-GBO33/PG	75mm	75mm	101mm	-2C/PG	X	X
ATB-GBO42/PG	ASB-GBO42/PG	ATP-GBO42/PG	100mm	50mm	76mm	-2C/PG	X	X
ATB-GBO43/PG	ASB-GBO43/PG	ATP-GBO43/PG	100mm	75mm	101mm	-2C/PG	X	X
ATB-GBO44/PG	ASB-GBO44/PG	ATP-GBO44/PG	100mm	100mm	126mm	-2C/PG	X	X
ATB-GBO62/PG	ASB-GBO62/PG	ATP-GBO62/PG	150mm	50mm	76mm	-2C/PG	-3C/PG	X
ATB-GBO63/PG	ASB-GBO63/PG	ATP-GBO63/PG	150mm	75mm	101mm	-2C/PG	-3C/PG	X
ATB-GBO64/PG	ASB-GBO64/PG	ATP-GBO64/PG	150mm	100mm	126mm	-2C/PG	-3C/PG	X
ATB-GBO66/PG	ASB-GBO66/PG	ATP-GBO66/PG	150mm	150mm	176mm	-2C/PG	-3C/PG	X
ATB-GBO82/PG	ASB-GBO82/PG	ATP-GBO82/PG	200mm	50mm	76mm	-2C/PG	-3C/PG	-4C/PG
ATB-GBO83/PG	ASB-GBO83/PG	ATP-GBO83/PG	200mm	75mm	101mm	-2C/PG	-3C/PG	-4C/PG
ATB-GBO84/PG	ASB-GBO84/PG	ATP-GBO84/PG	200mm	100mm	126mm	-2C/PG	-3C/PG	-4C/PG
ATB-GBO86/PG	ASB-GBO86/PG	ATP-GBO86/PG	200mm	150mm	176mm	-2C/PG	-3C/PG	-4C/PG
ATB-GBO88/PG	ASB-GBO88/PG	ATP-GBO88/PG	200mm	200mm	226mm	-2C/PG	-3C/PG	-4C/PG
ATB-GBO92/PG	ASB-GBO92/PG	ATP-GBO92/PG	225mm	50mm	76mm	-2C/PG	-3C/PG	-4C/PG
ATB-GBO93/PG	ASB-GBO93/PG	ATP-GBO93/PG	225mm	75mm	101mm	-2C/PG	-3C/PG	-4C/PG
ATB-GBO94/PG	ASB-GBO94/PG	ATP-GBO94/PG	225mm	100mm	126mm	-2C/PG	-3C/PG	-4C/PG
ATB-GBO96/PG	ASB-GBO96/PG	ATP-GBO96/PG	225mm	150mm	176mm	-2C/PG	-3C/PG	-4C/PG
ATB-GBO99/PG	ASB-GBO99/PG	ATP-GBO99/PG	225mm	225mm	251mm	-2C/PG	-3C/PG	-4C/PG
ATB-GBO122/PG	ASB-GBO122/PG	ATP-GBO122/PG	300mm	50mm	76mm	-2C/PG	-3C/PG	-4C/PG
ATB-GBO123/PG	ASB-GBO123/PG	ATP-GBO123/PG	300mm	75mm	101mm	-2C/PG	-3C/PG	-4C/PG
ATB-GBO124/PG	ASB-GBO124/PG	ATP-GBO124/PG	300mm	100mm	126mm	-2C/PG	-3C/PG	-4C/PG
ATB-GBO126/PG	ASB-GBO126/PG	ATP-GBO126/PG	300mm	150mm	176mm	-2C/PG	-3C/PG	-4C/PG
ATB-GBO128/PG	ASB-GBO128/PG	ATP-GBO128/PG	300mm	200mm	226mm	-2C/PG	-3C/PG	-4C/PG
ATB-GBO129/PG	ASB-GBO129/PG	ATP-GBO129/PG	300mm	225mm	251mm	-2C/PG	-3C/PG	-4C/PG
ATB-GBO1212/PG	ASB-GBO1212/PG	ATP-GBO1212/PG	300mm	300mm	326mm	-2C/PG	-3C/PG	-4C/PG

SHARP 90° BEND TOP OUTSIDE LID PRE-GALV

FOR ALTERNATIVE FINISH OPTIONS PLEASE SEE P.47



ATB-SBO

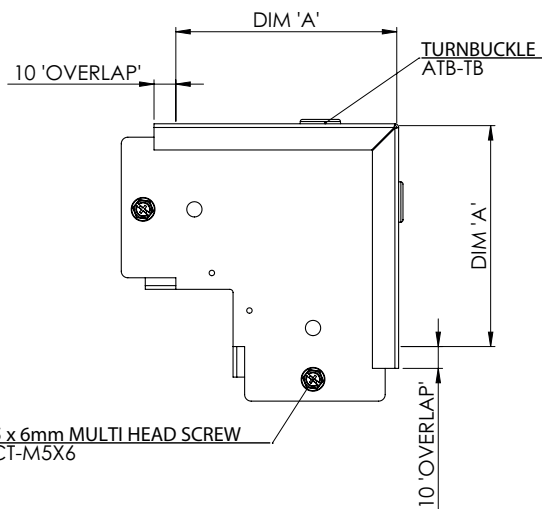
ATB - TURNBUCKLE



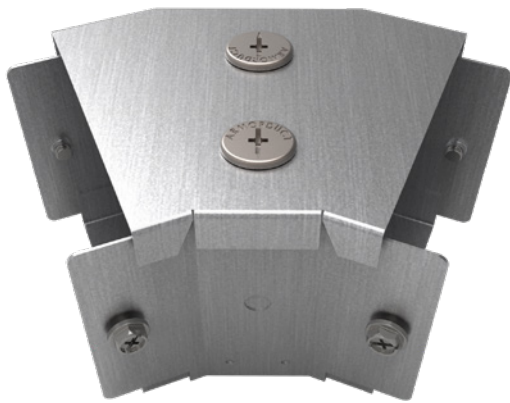
ASB - SCREWBUSH



ATP-TAMPERPROOF



Turnbuckle	Screwbush	Tamperproof	Width	Height	Dim A	2 Comp	3 Comp	4 Comp
ATB-SBO22/PG	ASB-SBO22/PG	ATP-SBO22/PG	50mm	50mm	76mm	-2C/PG	X	X
ATB-SBO32/PG	ASB-SBO32/PG	ATP-SBO32/PG	75mm	50mm	76mm	-2C/PG	X	X
ATB-SBO33/PG	ASB-SBO33/PG	ATP-SBO33/PG	75mm	75mm	101mm	-2C/PG	X	X
ATB-SBO42/PG	ASB-SBO42/PG	ATP-SBO42/PG	100mm	50mm	76mm	-2C/PG	X	X
ATB-SBO43/PG	ASB-SBO43/PG	ATP-SBO43/PG	100mm	75mm	101mm	-2C/PG	X	X
ATB-SBO44/PG	ASB-SBO44/PG	ATP-SBO44/PG	100mm	100mm	126mm	-2C/PG	X	X
ATB-SBO62/PG	ASB-SBO62/PG	ATP-SBO62/PG	150mm	50mm	76mm	-2C/PG	-3C/PG	X
ATB-SBO63/PG	ASB-SBO63/PG	ATP-SBO63/PG	150mm	75mm	101mm	-2C/PG	-3C/PG	X
ATB-SBO64/PG	ASB-SBO64/PG	ATP-SBO64/PG	150mm	100mm	126mm	-2C/PG	-3C/PG	X
ATB-SBO66/PG	ASB-SBO66/PG	ATP-SBO66/PG	150mm	150mm	176mm	-2C/PG	-3C/PG	X
ATB-SBO82/PG	ASB-SBO82/PG	ATP-SBO82/PG	200mm	50mm	76mm	-2C/PG	-3C/PG	-4C/PG
ATB-SBO83/PG	ASB-SBO83/PG	ATP-SBO83/PG	200mm	75mm	101mm	-2C/PG	-3C/PG	-4C/PG
ATB-SBO84/PG	ASB-SBO84/PG	ATP-SBO84/PG	200mm	100mm	126mm	-2C/PG	-3C/PG	-4C/PG
ATB-SBO86/PG	ASB-SBO86/PG	ATP-SBO86/PG	200mm	150mm	176mm	-2C/PG	-3C/PG	-4C/PG
ATB-SBO88/PG	ASB-SBO88/PG	ATP-SBO88/PG	200mm	200mm	226mm	-2C/PG	-3C/PG	-4C/PG
ATB-SBO92/PG	ASB-SBO92/PG	ATP-SBO92/PG	225mm	50mm	76mm	-2C/PG	-3C/PG	-4C/PG
ATB-SBO93/PG	ASB-SBO93/PG	ATP-SBO93/PG	225mm	75mm	101mm	-2C/PG	-3C/PG	-4C/PG
ATB-SBO94/PG	ASB-SBO94/PG	ATP-SBO94/PG	225mm	100mm	126mm	-2C/PG	-3C/PG	-4C/PG
ATB-SBO96/PG	ASB-SBO96/PG	ATP-SBO96/PG	225mm	150mm	176mm	-2C/PG	-3C/PG	-4C/PG
ATB-SBO99/PG	ASB-SBO99/PG	ATP-SBO99/PG	225mm	225mm	251mm	-2C/PG	-3C/PG	-4C/PG
ATB-SBO122/PG	ASB-SBO122/PG	ATP-SBO122/PG	300mm	50mm	76mm	-2C/PG	-3C/PG	-4C/PG
ATB-SBO123/PG	ASB-SBO123/PG	ATP-SBO123/PG	300mm	75mm	101mm	-2C/PG	-3C/PG	-4C/PG
ATB-SBO124/PG	ASB-SBO124/PG	ATP-SBO124/PG	300mm	100mm	126mm	-2C/PG	-3C/PG	-4C/PG
ATB-SBO126/PG	ASB-SBO126/PG	ATP-SBO126/PG	300mm	150mm	176mm	-2C/PG	-3C/PG	-4C/PG
ATB-SBO128/PG	ASB-SBO128/PG	ATP-SBO128/PG	300mm	200mm	226mm	-2C/PG	-3C/PG	-4C/PG
ATB-SBO129/PG	ASB-SBO129/PG	ATP-SBO129/PG	300mm	225mm	251mm	-2C/PG	-3C/PG	-4C/PG
ATB-SBO1212/PG	ASB-SBO1212/PG	ATP-SBO1212/PG	300mm	300mm	326mm	-2C/PG	-3C/PG	-4C/PG



ATB-GFT

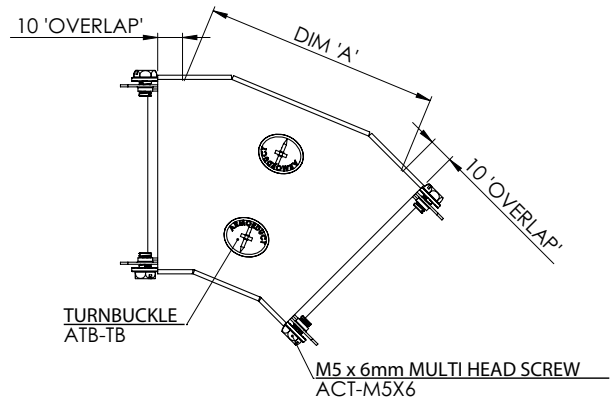
ATB - TURNBUCKLE



ASB - SCREWBUSH



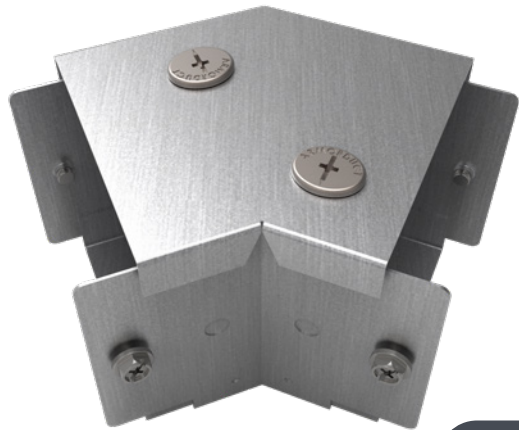
ATP-TAMPERPROOF



Turnbuckle	Screwbush	Tamperproof	Width	Height	Dim A	2 Comp	3 Comp	4 Comp
ATB-GFT22/PG	ASB-GFT22/PG	ATP-GFT22/PG	50mm	50mm	75mm	-2C/PG	X	X
ATB-GFT32/PG	ASB-GFT32/PG	ATP-GFT32/PG	75mm	50mm	95mm	-2C/PG	X	X
ATB-GFT33/PG	ASB-GFT33/PG	ATP-GFT33/PG	75mm	75mm	95mm	-2C/PG	X	X
ATB-GFT42/PG	ASB-GFT42/PG	ATP-GFT42/PG	100mm	50mm	114mm	-2C/PG	X	X
ATB-GFT43/PG	ASB-GFT43/PG	ATP-GFT43/PG	100mm	75mm	114mm	-2C/PG	X	X
ATB-GFT44/PG	ASB-GFT44/PG	ATP-GFT44/PG	100mm	100mm	114mm	-2C/PG	X	X
ATB-GFT62/PG	ASB-GFT62/PG	ATP-GFT62/PG	150mm	50mm	152mm	-2C/PG	-3C/PG	X
ATB-GFT63/PG	ASB-GFT63/PG	ATP-GFT63/PG	150mm	75mm	152mm	-2C/PG	-3C/PG	X
ATB-GFT64/PG	ASB-GFT64/PG	ATP-GFT64/PG	150mm	100mm	152mm	-2C/PG	-3C/PG	X
ATB-GFT66/PG	ASB-GFT66/PG	ATP-GFT66/PG	150mm	150mm	152mm	-2C/PG	-3C/PG	X
ATB-GFT82/PG	ASB-GFT82/PG	ATP-GFT82/PG	200mm	50mm	190mm	-2C/PG	-3C/PG	-4C/PG
ATB-GFT83/PG	ASB-GFT83/PG	ATP-GFT83/PG	200mm	75mm	190mm	-2C/PG	-3C/PG	-4C/PG
ATB-GFT84/PG	ASB-GFT84/PG	ATP-GFT84/PG	200mm	100mm	190mm	-2C/PG	-3C/PG	-4C/PG
ATB-GFT86/PG	ASB-GFT86/PG	ATP-GFT86/PG	200mm	150mm	190mm	-2C/PG	-3C/PG	-4C/PG
ATB-GFT88/PG	ASB-GFT88/PG	ATP-GFT88/PG	200mm	200mm	190mm	-2C/PG	-3C/PG	-4C/PG
ATB-GFT92/PG	ASB-GFT92/PG	ATP-GFT92/PG	225mm	50mm	209mm	-2C/PG	-3C/PG	-4C/PG
ATB-GFT93/PG	ASB-GFT93/PG	ATP-GFT93/PG	225mm	75mm	209mm	-2C/PG	-3C/PG	-4C/PG
ATB-GFT94/PG	ASB-GFT94/PG	ATP-GFT94/PG	225mm	100mm	209mm	-2C/PG	-3C/PG	-4C/PG
ATB-GFT96/PG	ASB-GFT96/PG	ATP-GFT96/PG	225mm	150mm	209mm	-2C/PG	-3C/PG	-4C/PG
ATB-GFT99/PG	ASB-GFT99/PG	ATP-GFT99/PG	225mm	225mm	209mm	-2C/PG	-3C/PG	-4C/PG
ATB-GFT122/PG	ASB-GFT122/PG	ATP-GFT122/PG	300mm	50mm	266mm	-2C/PG	-3C/PG	-4C/PG
ATB-GFT123/PG	ASB-GFT123/PG	ATP-GFT123/PG	300mm	75mm	266mm	-2C/PG	-3C/PG	-4C/PG
ATB-GFT124/PG	ASB-GFT124/PG	ATP-GFT124/PG	300mm	100mm	266mm	-2C/PG	-3C/PG	-4C/PG
ATB-GFT126/PG	ASB-GFT126/PG	ATP-GFT126/PG	300mm	150mm	266mm	-2C/PG	-3C/PG	-4C/PG
ATB-GFT128/PG	ASB-GFT128/PG	ATP-GFT128/PG	300mm	200mm	266mm	-2C/PG	-3C/PG	-4C/PG
ATB-GFT129/PG	ASB-GFT129/PG	ATP-GFT129/PG	300mm	225mm	266mm	-2C/PG	-3C/PG	-4C/PG
ATB-GFT1212/PG	ASB-GFT1212/PG	ATP-GFT1212/PG	300mm	300mm	266mm	-2C/PG	-3C/PG	-4C/PG

SHARP 45° BEND TOP LID PRE-GALV

FOR ALTERNATIVE FINISH OPTIONS PLEASE SEE P.47



ATB - TURNBUCKLE



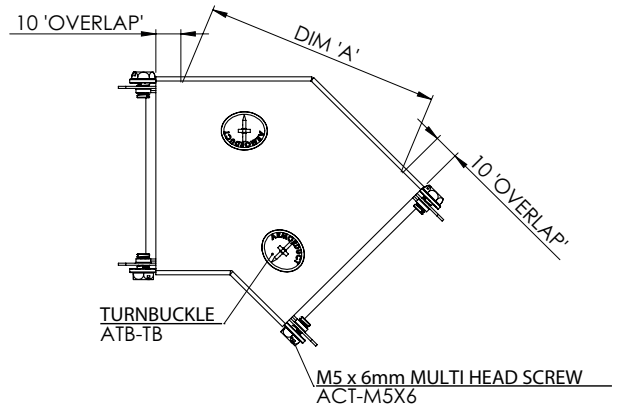
ASB - SCREWBUSH



ATP - TAMPERPROOF

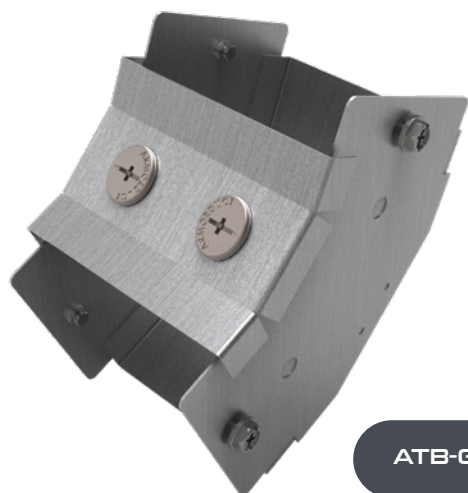


ATB-SFT



Turnbuckle	Screwbush	Tamperproof	Width	Height	Dim A	2 Comp	3 Comp	4 Comp
ATB-SFT22/PG	ASB-SFT22/PG	ATP-SFT22/PG	50mm	50mm	75mm	-2C/PG	X	X
ATB-SFT32/PG	ASB-SFT32/PG	ATP-SFT32/PG	75mm	50mm	95mm	-2C/PG	X	X
ATB-SFT33/PG	ASB-SFT33/PG	ATP-SFT33/PG	75mm	75mm	95mm	-2C/PG	X	X
ATB-SFT42/PG	ASB-SFT42/PG	ATP-SFT42/PG	100mm	50mm	114mm	-2C/PG	X	X
ATB-SFT43/PG	ASB-SFT43/PG	ATP-SFT43/PG	100mm	75mm	114mm	-2C/PG	X	X
ATB-SFT44/PG	ASB-SFT44/PG	ATP-SFT44/PG	100mm	100mm	114mm	-2C/PG	X	X
ATB-SFT62/PG	ASB-SFT62/PG	ATP-SFT62/PG	150mm	50mm	152mm	-2C/PG	-3C/PG	X
ATB-SFT63/PG	ASB-SFT63/PG	ATP-SFT63/PG	150mm	75mm	152mm	-2C/PG	-3C/PG	X
ATB-SFT64/PG	ASB-SFT64/PG	ATP-SFT64/PG	150mm	100mm	152mm	-2C/PG	-3C/PG	X
ATB-SFT66/PG	ASB-SFT66/PG	ATP-SFT66/PG	150mm	150mm	152mm	-2C/PG	-3C/PG	X
ATB-SFT82/PG	ASB-SFT82/PG	ATP-SFT82/PG	200mm	50mm	190mm	-2C/PG	-3C/PG	-4C/PG
ATB-SFT83/PG	ASB-SFT83/PG	ATP-SFT83/PG	200mm	75mm	190mm	-2C/PG	-3C/PG	-4C/PG
ATB-SFT84/PG	ASB-SFT84/PG	ATP-SFT84/PG	200mm	100mm	190mm	-2C/PG	-3C/PG	-4C/PG
ATB-SFT86/PG	ASB-SFT86/PG	ATP-SFT86/PG	200mm	150mm	190mm	-2C/PG	-3C/PG	-4C/PG
ATB-SFT88/PG	ASB-SFT88/PG	ATP-SFT88/PG	200mm	200mm	190mm	-2C/PG	-3C/PG	-4C/PG
ATB-SFT92/PG	ASB-SFT92/PG	ATP-SFT92/PG	225mm	50mm	209mm	-2C/PG	-3C/PG	-4C/PG
ATB-SFT93/PG	ASB-SFT93/PG	ATP-SFT93/PG	225mm	75mm	209mm	-2C/PG	-3C/PG	-4C/PG
ATB-SFT94/PG	ASB-SFT94/PG	ATP-SFT94/PG	225mm	100mm	209mm	-2C/PG	-3C/PG	-4C/PG
ATB-SFT96/PG	ASB-SFT96/PG	ATP-SFT96/PG	225mm	150mm	209mm	-2C/PG	-3C/PG	-4C/PG
ATB-SFT99/PG	ASB-SFT99/PG	ATP-SFT99/PG	225mm	225mm	209mm	-2C/PG	-3C/PG	-4C/PG
ATB-SFT122/PG	ASB-SFT122/PG	ATP-SFT122/PG	300mm	50mm	266mm	-2C/PG	-3C/PG	-4C/PG
ATB-SFT123/PG	ASB-SFT123/PG	ATP-SFT123/PG	300mm	75mm	266mm	-2C/PG	-3C/PG	-4C/PG
ATB-SFT124/PG	ASB-SFT124/PG	ATP-SFT124/PG	300mm	100mm	266mm	-2C/PG	-3C/PG	-4C/PG
ATB-SFT126/PG	ASB-SFT126/PG	ATP-SFT126/PG	300mm	150mm	266mm	-2C/PG	-3C/PG	-4C/PG
ATB-SFT128/PG	ASB-SFT128/PG	ATP-SFT128/PG	300mm	200mm	266mm	-2C/PG	-3C/PG	-4C/PG
ATB-SFT129/PG	ASB-SFT129/PG	ATP-SFT129/PG	300mm	225mm	266mm	-2C/PG	-3C/PG	-4C/PG
ATB-SFT1212/PG	ASB-SFT1212/PG	ATP-SFT1212/PG	300mm	300mm	266mm	-2C/PG	-3C/PG	-4C/PG

Screwbush Information p.40 - Tamperproof Information p.42 - Technical Specification p.48



ATB-GFI

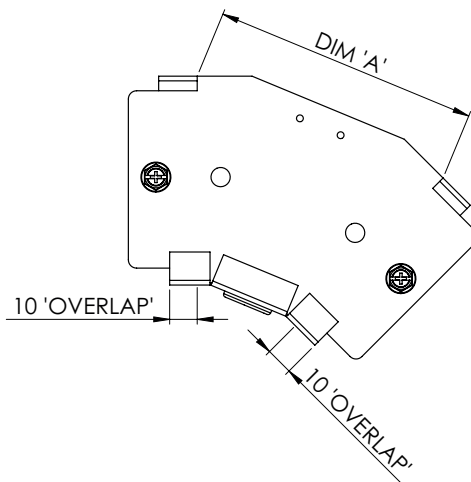
ATB - TURNBUCKLE



ASB - SCREWBUSH

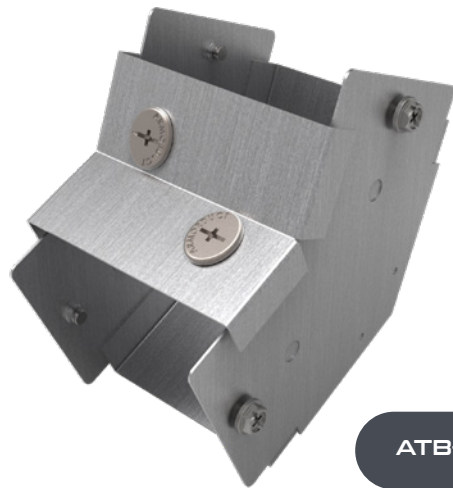


ATP-TAMPERPROOF



Turnbuckle	Screwbush	Tamperproof	Width	Height	Dim A	2 Comp	3 Comp	4 Comp
ATB-GFI22/PG	ASB-GFI22/PG	ATP-GFI22/PG	50mm	50mm	78mm	-2C/PG	X	X
ATB-GFI32/PG	ASB-GFI32/PG	ATP-GFI32/PG	75mm	50mm	78mm	-2C/PG	X	X
ATB-GFI33/PG	ASB-GFI33/PG	ATP-GFI33/PG	75mm	75mm	97mm	-2C/PG	X	X
ATB-GFI42/PG	ASB-GFI42/PG	ATP-GFI42/PG	100mm	50mm	78mm	-2C/PG	X	X
ATB-GFI43/PG	ASB-GFI43/PG	ATP-GFI43/PG	100mm	75mm	97mm	-2C/PG	X	X
ATB-GFI44/PG	ASB-GFI44/PG	ATP-GFI44/PG	100mm	100mm	116mm	-2C/PG	X	X
ATB-GFI62/PG	ASB-GFI62/PG	ATP-GFI62/PG	150mm	50mm	78mm	-2C/PG	-3C/PG	X
ATB-GFI63/PG	ASB-GFI63/PG	ATP-GFI63/PG	150mm	75mm	97mm	-2C/PG	-3C/PG	X
ATB-GFI64/PG	ASB-GFI64/PG	ATP-GFI64/PG	150mm	100mm	116mm	-2C/PG	-3C/PG	X
ATB-GFI66/PG	ASB-GFI66/PG	ATP-GFI66/PG	150mm	150mm	154mm	-2C/PG	-3C/PG	X
ATB-GFI82/PG	ASB-GFI82/PG	ATP-GFI82/PG	200mm	50mm	78mm	-2C/PG	-3C/PG	-4C/PG
ATB-GFI83/PG	ASB-GFI83/PG	ATP-GFI83/PG	200mm	75mm	97mm	-2C/PG	-3C/PG	-4C/PG
ATB-GFI84/PG	ASB-GFI84/PG	ATP-GFI84/PG	200mm	100mm	116mm	-2C/PG	-3C/PG	-4C/PG
ATB-GFI86/PG	ASB-GFI86/PG	ATP-GFI86/PG	200mm	150mm	154mm	-2C/PG	-3C/PG	-4C/PG
ATB-GFI88/PG	ASB-GFI88/PG	ATP-GFI88/PG	200mm	200mm	192mm	-2C/PG	-3C/PG	-4C/PG
ATB-GFI92/PG	ASB-GFI92/PG	ATP-GFI92/PG	225mm	50mm	78mm	-2C/PG	-3C/PG	-4C/PG
ATB-GFI93/PG	ASB-GFI93/PG	ATP-GFI93/PG	225mm	75mm	97mm	-2C/PG	-3C/PG	-4C/PG
ATB-GFI94/PG	ASB-GFI94/PG	ATP-GFI94/PG	225mm	100mm	116mm	-2C/PG	-3C/PG	-4C/PG
ATB-GFI96/PG	ASB-GFI96/PG	ATP-GFI96/PG	225mm	150mm	154mm	-2C/PG	-3C/PG	-4C/PG
ATB-GFI99/PG	ASB-GFI99/PG	ATP-GFI99/PG	225mm	225mm	211mm	-2C/PG	-3C/PG	-4C/PG
ATB-GFI122/PG	ASB-GFI122/PG	ATP-GFI122/PG	300mm	50mm	78mm	-2C/PG	-3C/PG	-4C/PG
ATB-GFI123/PG	ASB-GFI123/PG	ATP-GFI123/PG	300mm	75mm	97mm	-2C/PG	-3C/PG	-4C/PG
ATB-GFI124/PG	ASB-GFI124/PG	ATP-GFI124/PG	300mm	100mm	116mm	-2C/PG	-3C/PG	-4C/PG
ATB-GFI126/PG	ASB-GFI126/PG	ATP-GFI126/PG	300mm	150mm	154mm	-2C/PG	-3C/PG	-4C/PG
ATB-GFI128/PG	ASB-GFI128/PG	ATP-GFI128/PG	300mm	200mm	192mm	-2C/PG	-3C/PG	-4C/PG
ATB-GFI129/PG	ASB-GFI129/PG	ATP-GFI129/PG	300mm	225mm	211mm	-2C/PG	-3C/PG	-4C/PG
ATB-GFI1212/PG	ASB-GFI1212/PG	ATP-GFI1212/PG	300mm	300mm	269mm	-2C/PG	-3C/PG	-4C/PG

SHARP 45° BEND INSIDE LID PRE-GALV
FOR ALTERNATIVE FINISH OPTIONS PLEASE SEE P.47



ATB-SFI

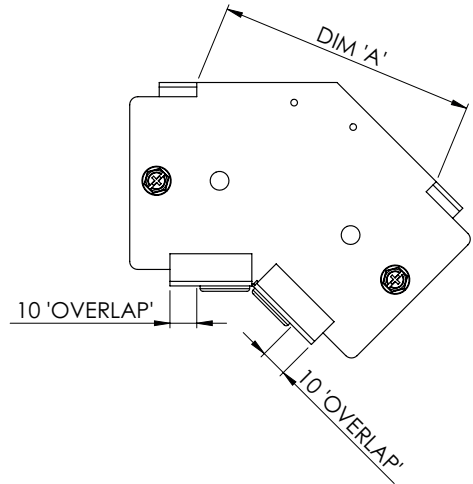
ATB - TURNBUCKLE



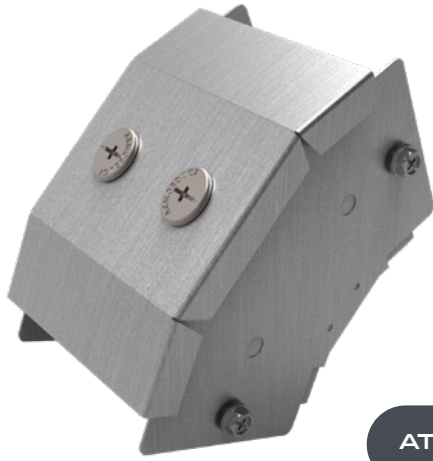
ASB - SCREWBUSH



ATP-TAMPERPROOF



Turnbuckle	Screwbush	Tamperproof	Width	Height	Dim A	2 Comp	3 Comp	4 Comp
ATB-SFI22/PG	ASB-SFI22/PG	ATP-SFI22/PG	50mm	50mm	78mm	-2C/PG	X	X
ATB-SFI32/PG	ASB-SFI32/PG	ATP-SFI32/PG	75mm	50mm	78mm	-2C/PG	X	X
ATB-SFI33/PG	ASB-SFI33/PG	ATP-SFI33/PG	75mm	75mm	97mm	-2C/PG	X	X
ATB-SFI42/PG	ASB-SFI42/PG	ATP-SFI42/PG	100mm	50mm	78mm	-2C/PG	X	X
ATB-SFI43/PG	ASB-SFI43/PG	ATP-SFI43/PG	100mm	75mm	97mm	-2C/PG	X	X
ATB-SFI44/PG	ASB-SFI44/PG	ATP-SFI44/PG	100mm	100mm	116mm	-2C/PG	X	X
ATB-SFI62/PG	ASB-SFI62/PG	ATP-SFI62/PG	150mm	50mm	78mm	-2C/PG	-3C/PG	X
ATB-SFI63/PG	ASB-SFI63/PG	ATP-SFI63/PG	150mm	75mm	97mm	-2C/PG	-3C/PG	X
ATB-SFI64/PG	ASB-SFI64/PG	ATP-SFI64/PG	150mm	100mm	116mm	-2C/PG	-3C/PG	X
ATB-SFI66/PG	ASB-SFI66/PG	ATP-SFI66/PG	150mm	150mm	154mm	-2C/PG	-3C/PG	X
ATB-SFI82/PG	ASB-SFI82/PG	ATP-SFI82/PG	200mm	50mm	78mm	-2C/PG	-3C/PG	-4C/PG
ATB-SFI83/PG	ASB-SFI83/PG	ATP-SFI83/PG	200mm	75mm	97mm	-2C/PG	-3C/PG	-4C/PG
ATB-SFI84/PG	ASB-SFI84/PG	ATP-SFI84/PG	200mm	100mm	116mm	-2C/PG	-3C/PG	-4C/PG
ATB-SFI86/PG	ASB-SFI86/PG	ATP-SFI86/PG	200mm	150mm	154mm	-2C/PG	-3C/PG	-4C/PG
ATB-SFI88/PG	ASB-SFI88/PG	ATP-SFI88/PG	200mm	200mm	192mm	-2C/PG	-3C/PG	-4C/PG
ATB-SFI92/PG	ASB-SFI92/PG	ATP-SFI92/PG	225mm	50mm	78mm	-2C/PG	-3C/PG	-4C/PG
ATB-SFI93/PG	ASB-SFI93/PG	ATP-SFI93/PG	225mm	75mm	97mm	-2C/PG	-3C/PG	-4C/PG
ATB-SFI94/PG	ASB-SFI94/PG	ATP-SFI94/PG	225mm	100mm	116mm	-2C/PG	-3C/PG	-4C/PG
ATB-SFI96/PG	ASB-SFI96/PG	ATP-SFI96/PG	225mm	150mm	154mm	-2C/PG	-3C/PG	-4C/PG
ATB-SFI99/PG	ASB-SFI99/PG	ATP-SFI99/PG	225mm	225mm	211mm	-2C/PG	-3C/PG	-4C/PG
ATB-SFI122/PG	ASB-SFI122/PG	ATP-SFI122/PG	300mm	50mm	78mm	-2C/PG	-3C/PG	-4C/PG
ATB-SFI123/PG	ASB-SFI123/PG	ATP-SFI123/PG	300mm	75mm	97mm	-2C/PG	-3C/PG	-4C/PG
ATB-SFI124/PG	ASB-SFI124/PG	ATP-SFI124/PG	300mm	100mm	116mm	-2C/PG	-3C/PG	-4C/PG
ATB-SFI126/PG	ASB-SFI126/PG	ATP-SFI126/PG	300mm	150mm	154mm	-2C/PG	-3C/PG	-4C/PG
ATB-SFI128/PG	ASB-SFI128/PG	ATP-SFI128/PG	300mm	200mm	192mm	-2C/PG	-3C/PG	-4C/PG
ATB-SFI129/PG	ASB-SFI129/PG	ATP-SFI129/PG	300mm	225mm	211mm	-2C/PG	-3C/PG	-4C/PG
ATB-SFI1212/PG	ASB-SFI1212/PG	ATP-SFI1212/PG	300mm	300mm	269mm	-2C/PG	-3C/PG	-4C/PG



ATB-GFO

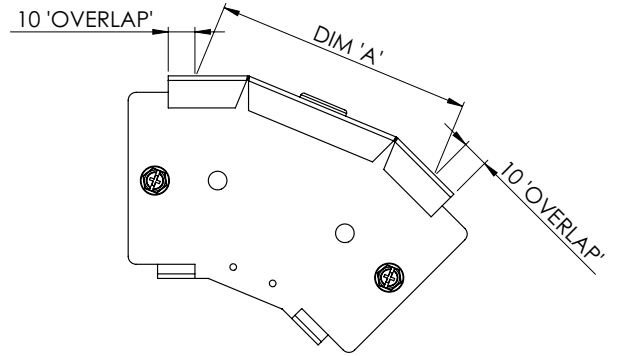
ATB - TURNBUCKLE



ASB - SCREWBUSH



ATP-TAMPERPROOF



Turnbuckle	Screwbush	Tamperproof	Width	Height	Dim A	2 Comp	3 Comp	4 Comp
ATB-GFO22/PG	ASB-GFO22/PG	ATP-GFO22/PG	50mm	50mm	78mm	-2C/PG	X	X
ATB-GFO32/PG	ASB-GFO32/PG	ATP-GFO32/PG	75mm	50mm	78mm	-2C/PG	X	X
ATB-GFO33/PG	ASB-GFO33/PG	ATP-GFO33/PG	75mm	75mm	97mm	-2C/PG	X	X
ATB-GFO42/PG	ASB-GFO42/PG	ATP-GFO42/PG	100mm	50mm	78mm	-2C/PG	X	X
ATB-GFO43/PG	ASB-GFO43/PG	ATP-GFO43/PG	100mm	75mm	97mm	-2C/PG	X	X
ATB-GFO44/PG	ASB-GFO44/PG	ATP-GFO44/PG	100mm	100mm	116mm	-2C/PG	X	X
ATB-GFO62/PG	ASB-GFO62/PG	ATP-GFO62/PG	150mm	50mm	78mm	-2C/PG	-3C/PG	X
ATB-GFO63/PG	ASB-GFO63/PG	ATP-GFO63/PG	150mm	75mm	97mm	-2C/PG	-3C/PG	X
ATB-GFO64/PG	ASB-GFO64/PG	ATP-GFO64/PG	150mm	100mm	116mm	-2C/PG	-3C/PG	X
ATB-GFO66/PG	ASB-GFO66/PG	ATP-GFO66/PG	150mm	150mm	154mm	-2C/PG	-3C/PG	X
ATB-GFO82/PG	ASB-GFO82/PG	ATP-GFO82/PG	200mm	50mm	78mm	-2C/PG	-3C/PG	-4C/PG
ATB-GFO83/PG	ASB-GFO83/PG	ATP-GFO83/PG	200mm	75mm	97mm	-2C/PG	-3C/PG	-4C/PG
ATB-GFO84/PG	ASB-GFO84/PG	ATP-GFO84/PG	200mm	100mm	116mm	-2C/PG	-3C/PG	-4C/PG
ATB-GFO86/PG	ASB-GFO86/PG	ATP-GFO86/PG	200mm	150mm	154mm	-2C/PG	-3C/PG	-4C/PG
ATB-GFO88/PG	ASB-GFO88/PG	ATP-GFO88/PG	200mm	200mm	192mm	-2C/PG	-3C/PG	-4C/PG
ATB-GFO92/PG	ASB-GFO92/PG	ATP-GFO92/PG	225mm	50mm	78mm	-2C/PG	-3C/PG	-4C/PG
ATB-GFO93/PG	ASB-GFO93/PG	ATP-GFO93/PG	225mm	75mm	97mm	-2C/PG	-3C/PG	-4C/PG
ATB-GFO94/PG	ASB-GFO94/PG	ATP-GFO94/PG	225mm	100mm	116mm	-2C/PG	-3C/PG	-4C/PG
ATB-GFO96/PG	ASB-GFO96/PG	ATP-GFO96/PG	225mm	150mm	154mm	-2C/PG	-3C/PG	-4C/PG
ATB-GFO99/PG	ASB-GFO99/PG	ATP-GFO99/PG	225mm	225mm	211mm	-2C/PG	-3C/PG	-4C/PG
ATB-GFO122/PG	ASB-GFO122/PG	ATP-GFO122/PG	300mm	50mm	78mm	-2C/PG	-3C/PG	-4C/PG
ATB-GFO123/PG	ASB-GFO123/PG	ATP-GFO123/PG	300mm	75mm	97mm	-2C/PG	-3C/PG	-4C/PG
ATB-GFO124/PG	ASB-GFO124/PG	ATP-GFO124/PG	300mm	100mm	116mm	-2C/PG	-3C/PG	-4C/PG
ATB-GFO126/PG	ASB-GFO126/PG	ATP-GFO126/PG	300mm	150mm	154mm	-2C/PG	-3C/PG	-4C/PG
ATB-GFO128/PG	ASB-GFO128/PG	ATP-GFO128/PG	300mm	200mm	192mm	-2C/PG	-3C/PG	-4C/PG
ATB-GFO129/PG	ASB-GFO129/PG	ATP-GFO129/PG	300mm	225mm	211mm	-2C/PG	-3C/PG	-4C/PG
ATB-GFO1212/PG	ASB-GFO1212/PG	ATP-GFO1212/PG	300mm	300mm	269mm	-2C/PG	-3C/PG	-4C/PG

SHARP 45° BEND OUTSIDE LID PRE-GALV

FOR ALTERNATIVE FINISH OPTIONS PLEASE SEE P.47



ATB - TURNBUCKLE



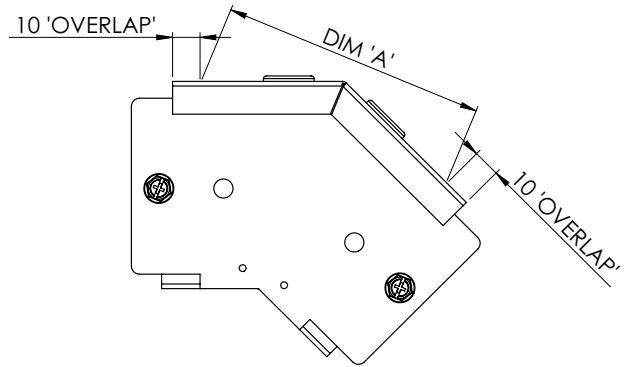
ASB - SCREWBUSH



ATP-TAMPERPROOF



ATB-SFO



Turnbuckle	Screwbush	Tamperproof	Width	Height	Dim A	2 Comp	3 Comp	4 Comp
ATB-SFO22/PG	ASB-SFO22/PG	ATP-SFO22/PG	50mm	50mm	78mm	-2C/PG	X	X
ATB-SFO32/PG	ASB-SFO32/PG	ATP-SFO32/PG	75mm	50mm	78mm	-2C/PG	X	X
ATB-SFO33/PG	ASB-SFO33/PG	ATP-SFO33/PG	75mm	75mm	97mm	-2C/PG	X	X
ATB-SFO42/PG	ASB-SFO42/PG	ATP-SFO42/PG	100mm	50mm	78mm	-2C/PG	X	X
ATB-SFO43/PG	ASB-SFO43/PG	ATP-SFO43/PG	100mm	75mm	97mm	-2C/PG	X	X
ATB-SFO44/PG	ASB-SFO44/PG	ATP-SFO44/PG	100mm	100mm	116mm	-2C/PG	X	X
ATB-SFO62/PG	ASB-SFO62/PG	ATP-SFO62/PG	150mm	50mm	78mm	-2C/PG	-3C/PG	X
ATB-SFO63/PG	ASB-SFO63/PG	ATP-SFO63/PG	150mm	75mm	97mm	-2C/PG	-3C/PG	X
ATB-SFO64/PG	ASB-SFO64/PG	ATP-SFO64/PG	150mm	100mm	116mm	-2C/PG	-3C/PG	X
ATB-SFO66/PG	ASB-SFO66/PG	ATP-SFO66/PG	150mm	150mm	154mm	-2C/PG	-3C/PG	X
ATB-SFO82/PG	ASB-SFO82/PG	ATP-SFO82/PG	200mm	50mm	78mm	-2C/PG	-3C/PG	-4C/PG
ATB-SFO83/PG	ASB-SFO83/PG	ATP-SFO83/PG	200mm	75mm	97mm	-2C/PG	-3C/PG	-4C/PG
ATB-SFO84/PG	ASB-SFO84/PG	ATP-SFO84/PG	200mm	100mm	116mm	-2C/PG	-3C/PG	-4C/PG
ATB-SFO86/PG	ASB-SFO86/PG	ATP-SFO86/PG	200mm	150mm	154mm	-2C/PG	-3C/PG	-4C/PG
ATB-SFO88/PG	ASB-SFO88/PG	ATP-SFO88/PG	200mm	200mm	192mm	-2C/PG	-3C/PG	-4C/PG
ATB-SFO92/PG	ASB-SFO92/PG	ATP-SFO92/PG	225mm	50mm	78mm	-2C/PG	-3C/PG	-4C/PG
ATB-SFO93/PG	ASB-SFO93/PG	ATP-SFO93/PG	225mm	75mm	97mm	-2C/PG	-3C/PG	-4C/PG
ATB-SFO94/PG	ASB-SFO94/PG	ATP-SFO94/PG	225mm	100mm	116mm	-2C/PG	-3C/PG	-4C/PG
ATB-SFO96/PG	ASB-SFO96/PG	ATP-SFO96/PG	225mm	150mm	154mm	-2C/PG	-3C/PG	-4C/PG
ATB-SFO99/PG	ASB-SFO99/PG	ATP-SFO99/PG	225mm	225mm	211mm	-2C/PG	-3C/PG	-4C/PG
ATB-SFO122/PG	ASB-SFO122/PG	ATP-SFO122/PG	300mm	50mm	78mm	-2C/PG	-3C/PG	-4C/PG
ATB-SFO123/PG	ASB-SFO123/PG	ATP-SFO123/PG	300mm	75mm	97mm	-2C/PG	-3C/PG	-4C/PG
ATB-SFO124/PG	ASB-SFO124/PG	ATP-SFO124/PG	300mm	100mm	116mm	-2C/PG	-3C/PG	-4C/PG
ATB-SFO126/PG	ASB-SFO126/PG	ATP-SFO126/PG	300mm	150mm	154mm	-2C/PG	-3C/PG	-4C/PG
ATB-SFO128/PG	ASB-SFO128/PG	ATP-SFO128/PG	300mm	200mm	192mm	-2C/PG	-3C/PG	-4C/PG
ATB-SFO129/PG	ASB-SFO129/PG	ATP-SFO129/PG	300mm	225mm	211mm	-2C/PG	-3C/PG	-4C/PG
ATB-SFO1212/PG	ASB-SFO1212/PG	ATP-SFO1212/PG	300mm	300mm	269mm	-2C/PG	-3C/PG	-4C/PG



ATB-GTT

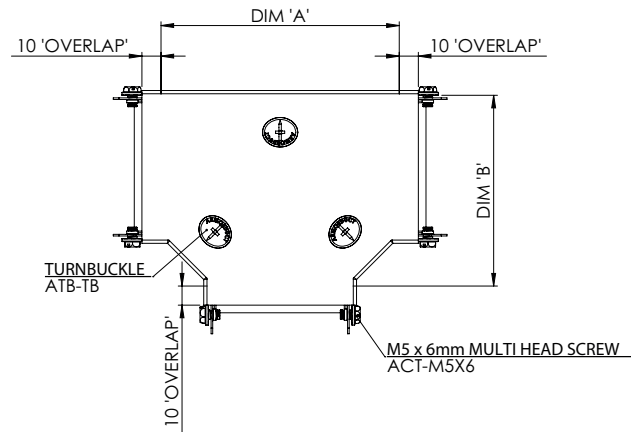
ATB - TURNBUCKLE



ASB - SCREWBUSH



ATP-TAMPERPROOF



Turnbuckle	Screwbush	Tamperproof	Width	Height	Dim A	Dim B	2 Comp	3 Comp	4 Comp
ATB-GTT22/PG	ASB-GTT22/PG	ATP-GTT22/PG	50mm	50mm	100mm	75mm	-2C/PG	X	X
ATB-GTT32/PG	ASB-GTT32/PG	ATP-GTT32/PG	75mm	50mm	125mm	100mm	-2C/PG	X	X
ATB-GTT33/PG	ASB-GTT33/PG	ATP-GTT33/PG	75mm	75mm	125mm	100mm	-2C/PG	X	X
ATB-GTT42/PG	ASB-GTT42/PG	ATP-GTT42/PG	100mm	50mm	150mm	125mm	-2C/PG	X	X
ATB-GTT43/PG	ASB-GTT43/PG	ATP-GTT43/PG	100mm	75mm	150mm	125mm	-2C/PG	X	X
ATB-GTT44/PG	ASB-GTT44/PG	ATP-GTT44/PG	100mm	100mm	150mm	125mm	-2C/PG	X	X
ATB-GTT62/PG	ASB-GTT62/PG	ATP-GTT62/PG	150mm	50mm	200mm	175mm	-2C/PG	-3C/PG	X
ATB-GTT63/PG	ASB-GTT63/PG	ATP-GTT63/PG	150mm	75mm	200mm	175mm	-2C/PG	-3C/PG	X
ATB-GTT64/PG	ASB-GTT64/PG	ATP-GTT64/PG	150mm	100mm	200mm	175mm	-2C/PG	-3C/PG	X
ATB-GTT66/PG	ASB-GTT66/PG	ATP-GTT66/PG	150mm	150mm	200mm	175mm	-2C/PG	-3C/PG	X
ATB-GTT82/PG	ASB-GTT82/PG	ATP-GTT82/PG	200mm	50mm	250mm	225mm	-2C/PG	-3C/PG	-4C/PG
ATB-GTT83/PG	ASB-GTT83/PG	ATP-GTT83/PG	200mm	75mm	250mm	225mm	-2C/PG	-3C/PG	-4C/PG
ATB-GTT84/PG	ASB-GTT84/PG	ATP-GTT84/PG	200mm	100mm	250mm	225mm	-2C/PG	-3C/PG	-4C/PG
ATB-GTT86/PG	ASB-GTT86/PG	ATP-GTT86/PG	200mm	150mm	250mm	225mm	-2C/PG	-3C/PG	-4C/PG
ATB-GTT88/PG	ASB-GTT88/PG	ATP-GTT88/PG	200mm	200mm	250mm	225mm	-2C/PG	-3C/PG	-4C/PG
ATB-GTT92/PG	ASB-GTT92/PG	ATP-GTT92/PG	225mm	50mm	274mm	250mm	-2C/PG	-3C/PG	-4C/PG
ATB-GTT93/PG	ASB-GTT93/PG	ATP-GTT93/PG	225mm	75mm	274mm	250mm	-2C/PG	-3C/PG	-4C/PG
ATB-GTT94/PG	ASB-GTT94/PG	ATP-GTT94/PG	225mm	100mm	274mm	250mm	-2C/PG	-3C/PG	-4C/PG
ATB-GTT96/PG	ASB-GTT96/PG	ATP-GTT96/PG	225mm	150mm	274mm	250mm	-2C/PG	-3C/PG	-4C/PG
ATB-GTT99/PG	ASB-GTT99/PG	ATP-GTT99/PG	225mm	225mm	274mm	250mm	-2C/PG	-3C/PG	-4C/PG
ATB-GTT122/PG	ASB-GTT122/PG	ATP-GTT122/PG	300mm	50mm	349mm	325mm	-2C/PG	-3C/PG	-4C/PG
ATB-GTT123/PG	ASB-GTT123/PG	ATP-GTT123/PG	300mm	75mm	349mm	325mm	-2C/PG	-3C/PG	-4C/PG
ATB-GTT124/PG	ASB-GTT124/PG	ATP-GTT124/PG	300mm	100mm	349mm	325mm	-2C/PG	-3C/PG	-4C/PG
ATB-GTT126/PG	ASB-GTT126/PG	ATP-GTT126/PG	300mm	150mm	349mm	325mm	-2C/PG	-3C/PG	-4C/PG
ATB-GTT128/PG	ASB-GTT128/PG	ATP-GTT128/PG	300mm	200mm	349mm	325mm	-2C/PG	-3C/PG	-4C/PG
ATB-GTT129/PG	ASB-GTT129/PG	ATP-GTT129/PG	300mm	225mm	349mm	325mm	-2C/PG	-3C/PG	-4C/PG
ATB-GTT1212/PG	ASB-GTT1212/PG	ATP-GTT1212/PG	300mm	300mm	349mm	325mm	-2C/PG	-3C/PG	-4C/PG

SHARP TEE TOP LID PRE-GALV

FOR ALTERNATIVE FINISH OPTIONS PLEASE SEE P.47



ATB - TURNBUCKLE



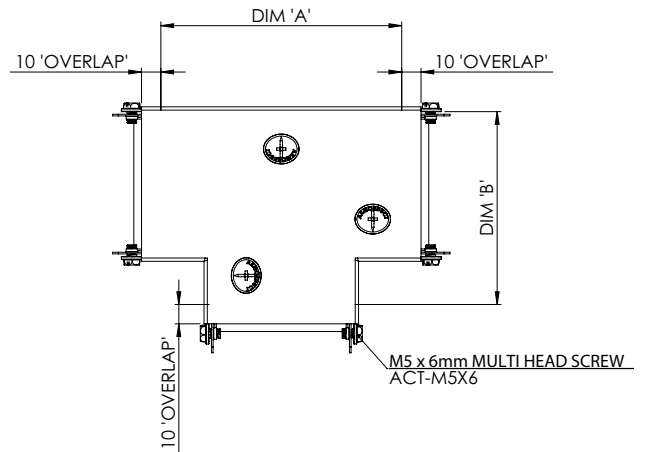
ASB - SCREWBUSH



ATP - TAMPERPROOF



ATB-STT



Turnbuckle	Screwbush	Tamperproof	Width	Height	Dim A	Dim B	2 Comp	3 Comp	4 Comp
ATB-STT22/PG	ASB-STT22/PG	ATP-STT22/PG	50mm	50mm	100mm	75mm	-2C/PG	X	X
ATB-STT32/PG	ASB-STT32/PG	ATP-STT32/PG	75mm	50mm	125mm	100mm	-2C/PG	X	X
ATB-STT33/PG	ASB-STT33/PG	ATP-STT33/PG	75mm	75mm	125mm	100mm	-2C/PG	X	X
ATB-STT42/PG	ASB-STT42/PG	ATP-STT42/PG	100mm	50mm	150mm	125mm	-2C/PG	X	X
ATB-STT43/PG	ASB-STT43/PG	ATP-STT43/PG	100mm	75mm	150mm	125mm	-2C/PG	X	X
ATB-STT44/PG	ASB-STT44/PG	ATP-STT44/PG	100mm	100mm	150mm	125mm	-2C/PG	X	X
ATB-STT62/PG	ASB-STT62/PG	ATP-STT62/PG	150mm	50mm	200mm	175mm	-2C/PG	-3C/PG	X
ATB-STT63/PG	ASB-STT63/PG	ATP-STT63/PG	150mm	75mm	200mm	175mm	-2C/PG	-3C/PG	X
ATB-STT64/PG	ASB-STT64/PG	ATP-STT64/PG	150mm	100mm	200mm	175mm	-2C/PG	-3C/PG	X
ATB-STT66/PG	ASB-STT66/PG	ATP-STT66/PG	150mm	150mm	200mm	175mm	-2C/PG	-3C/PG	X
ATB-STT82/PG	ASB-STT82/PG	ATP-STT82/PG	200mm	50mm	250mm	225mm	-2C/PG	-3C/PG	-4C/PG
ATB-STT83/PG	ASB-STT83/PG	ATP-STT83/PG	200mm	75mm	250mm	225mm	-2C/PG	-3C/PG	-4C/PG
ATB-STT84/PG	ASB-STT84/PG	ATP-STT84/PG	200mm	100mm	250mm	225mm	-2C/PG	-3C/PG	-4C/PG
ATB-STT86/PG	ASB-STT86/PG	ATP-STT86/PG	200mm	150mm	250mm	225mm	-2C/PG	-3C/PG	-4C/PG
ATB-STT88/PG	ASB-STT88/PG	ATP-STT88/PG	200mm	200mm	250mm	225mm	-2C/PG	-3C/PG	-4C/PG
ATB-STT92/PG	ASB-STT92/PG	ATP-STT92/PG	225mm	50mm	274mm	250mm	-2C/PG	-3C/PG	-4C/PG
ATB-STT93/PG	ASB-STT93/PG	ATP-STT93/PG	225mm	75mm	274mm	250mm	-2C/PG	-3C/PG	-4C/PG
ATB-STT94/PG	ASB-STT94/PG	ATP-STT94/PG	225mm	100mm	274mm	250mm	-2C/PG	-3C/PG	-4C/PG
ATB-STT96/PG	ASB-STT96/PG	ATP-STT96/PG	225mm	150mm	274mm	250mm	-2C/PG	-3C/PG	-4C/PG
ATB-STT99/PG	ASB-STT99/PG	ATP-STT99/PG	225mm	225mm	274mm	250mm	-2C/PG	-3C/PG	-4C/PG
ATB-STT122/PG	ASB-STT122/PG	ATP-STT122/PG	300mm	50mm	349mm	325mm	-2C/PG	-3C/PG	-4C/PG
ATB-STT123/PG	ASB-STT123/PG	ATP-STT123/PG	300mm	75mm	349mm	325mm	-2C/PG	-3C/PG	-4C/PG
ATB-STT124/PG	ASB-STT124/PG	ATP-STT124/PG	300mm	100mm	349mm	325mm	-2C/PG	-3C/PG	-4C/PG
ATB-STT126/PG	ASB-STT126/PG	ATP-STT126/PG	300mm	150mm	349mm	325mm	-2C/PG	-3C/PG	-4C/PG
ATB-STT128/PG	ASB-STT128/PG	ATP-STT128/PG	300mm	200mm	349mm	325mm	-2C/PG	-3C/PG	-4C/PG
ATB-STT129/PG	ASB-STT129/PG	ATP-STT129/PG	300mm	225mm	349mm	325mm	-2C/PG	-3C/PG	-4C/PG
ATB-STT1212/PG	ASB-STT1212/PG	ATP-STT1212/PG	300mm	300mm	349mm	325mm	-2C/PG	-3C/PG	-4C/PG

Screwbush Information p.40 - Tamperproof Information p.42 - Technical Specification p.48



ATB-GTI

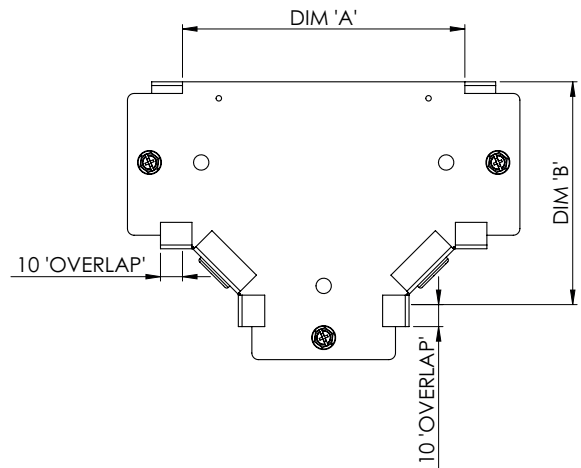
ATB - TURNBUCKLE



ASB - SCREWBUSH



ATP-TAMPERPROOF



Turnbuckle	Screwbush	Tamperproof	Width	Height	Dim A	Dim B	2 Comp	3 Comp	4 Comp
ATB-GTI22/PG	ASB-GTI22/PG	ATP-GTI22/PG	50mm	50mm	103mm	76mm	-2C/PG	X	X
ATB-GTI32/PG	ASB-GTI32/PG	ATP-GTI32/PG	75mm	50mm	103mm	76mm	-2C/PG	X	X
ATB-GTI33/PG	ASB-GTI33/PG	ATP-GTI33/PG	75mm	75mm	128mm	101mm	-2C/PG	X	X
ATB-GTI42/PG	ASB-GTI42/PG	ATP-GTI42/PG	100mm	50mm	103mm	76mm	-2C/PG	X	X
ATB-GTI43/PG	ASB-GTI43/PG	ATP-GTI43/PG	100mm	75mm	128mm	101mm	-2C/PG	X	X
ATB-GTI44/PG	ASB-GTI44/PG	ATP-GTI44/PG	100mm	100mm	153mm	126mm	-2C/PG	X	X
ATB-GTI62/PG	ASB-GTI62/PG	ATP-GTI62/PG	150mm	50mm	103mm	76mm	-2C/PG	-3C/PG	X
ATB-GTI63/PG	ASB-GTI63/PG	ATP-GTI63/PG	150mm	75mm	128mm	101mm	-2C/PG	-3C/PG	X
ATB-GTI64/PG	ASB-GTI64/PG	ATP-GTI64/PG	150mm	100mm	153mm	126mm	-2C/PG	-3C/PG	X
ATB-GTI66/PG	ASB-GTI66/PG	ATP-GTI66/PG	150mm	150mm	203mm	176mm	-2C/PG	-3C/PG	X
ATB-GTI82/PG	ASB-GTI82/PG	ATP-GTI82/PG	200mm	50mm	103mm	76mm	-2C/PG	-3C/PG	-4C/PG
ATB-GTI83/PG	ASB-GTI83/PG	ATP-GTI83/PG	200mm	75mm	128mm	101mm	-2C/PG	-3C/PG	-4C/PG
ATB-GTI84/PG	ASB-GTI84/PG	ATP-GTI84/PG	200mm	100mm	153mm	126mm	-2C/PG	-3C/PG	-4C/PG
ATB-GTI86/PG	ASB-GTI86/PG	ATP-GTI86/PG	200mm	150mm	203mm	176mm	-2C/PG	-3C/PG	-4C/PG
ATB-GTI88/PG	ASB-GTI88/PG	ATP-GTI88/PG	200mm	200mm	253mm	226mm	-2C/PG	-3C/PG	-4C/PG
ATB-GTI92/PG	ASB-GTI92/PG	ATP-GTI92/PG	225mm	50mm	103mm	76mm	-2C/PG	-3C/PG	-4C/PG
ATB-GTI93/PG	ASB-GTI93/PG	ATP-GTI93/PG	225mm	75mm	128mm	101mm	-2C/PG	-3C/PG	-4C/PG
ATB-GTI94/PG	ASB-GTI94/PG	ATP-GTI94/PG	225mm	100mm	153mm	126mm	-2C/PG	-3C/PG	-4C/PG
ATB-GTI96/PG	ASB-GTI96/PG	ATP-GTI96/PG	225mm	150mm	203mm	176mm	-2C/PG	-3C/PG	-4C/PG
ATB-GTI99/PG	ASB-GTI99/PG	ATP-GTI99/PG	225mm	225mm	278mm	251mm	-2C/PG	-3C/PG	-4C/PG
ATB-GTI122/PG	ASB-GTI122/PG	ATP-GTI122/PG	300mm	50mm	103mm	76mm	-2C/PG	-3C/PG	-4C/PG
ATB-GTI123/PG	ASB-GTI123/PG	ATP-GTI123/PG	300mm	75mm	128mm	101mm	-2C/PG	-3C/PG	-4C/PG
ATB-GTI124/PG	ASB-GTI124/PG	ATP-GTI124/PG	300mm	100mm	153mm	126mm	-2C/PG	-3C/PG	-4C/PG
ATB-GTI126/PG	ASB-GTI126/PG	ATP-GTI126/PG	300mm	150mm	203mm	176mm	-2C/PG	-3C/PG	-4C/PG
ATB-GTI128/PG	ASB-GTI128/PG	ATP-GTI128/PG	300mm	200mm	253mm	226mm	-2C/PG	-3C/PG	-4C/PG
ATB-GTI129/PG	ASB-GTI129/PG	ATP-GTI129/PG	300mm	225mm	278mm	251mm	-2C/PG	-3C/PG	-4C/PG
ATB-GTI1212/PG	ASB-GTI1212/PG	ATP-GTI1212/PG	300mm	300mm	354mm	326mm	-2C/PG	-3C/PG	-4C/PG

SHARP TEE INSIDE LID PRE-GALV

FOR ALTERNATIVE FINISH OPTIONS PLEASE SEE P.47



ATB-STI

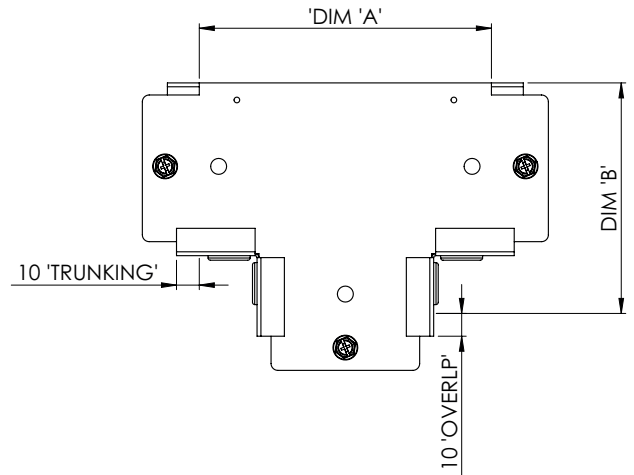
ATB - TURNBUCKLE



ASB - SCREWBUSH



ATP-TAMPERPROOF



Turnbuckle	Screwbush	Tamperproof	Width	Height	Dim A	Dim B	2 Comp	3 Comp	4 Comp
ATB-STI22/PG	ASB-STI22/PG	ATP-STI22/PG	50mm	50mm	103mm	76mm	-2C/PG	X	X
ATB-STI32/PG	ASB-STI32/PG	ATP-STI32/PG	75mm	50mm	103mm	76mm	-2C/PG	X	X
ATB-STI33/PG	ASB-STI33/PG	ATP-STI33/PG	75mm	75mm	128mm	101mm	-2C/PG	X	X
ATB-STI42/PG	ASB-STI42/PG	ATP-STI42/PG	100mm	50mm	103mm	76mm	-2C/PG	X	X
ATB-STI43/PG	ASB-STI43/PG	ATP-STI43/PG	100mm	75mm	128mm	101mm	-2C/PG	X	X
ATB-STI44/PG	ASB-STI44/PG	ATP-STI44/PG	100mm	100mm	153mm	126mm	-2C/PG	X	X
ATB-STI62/PG	ASB-STI62/PG	ATP-STI62/PG	150mm	50mm	103mm	76mm	-2C/PG	-3C/PG	X
ATB-STI63/PG	ASB-STI63/PG	ATP-STI63/PG	150mm	75mm	128mm	101mm	-2C/PG	-3C/PG	X
ATB-STI64/PG	ASB-STI64/PG	ATP-STI64/PG	150mm	100mm	153mm	126mm	-2C/PG	-3C/PG	X
ATB-STI66/PG	ASB-STI66/PG	ATP-STI66/PG	150mm	150mm	203mm	176mm	-2C/PG	-3C/PG	X
ATB-STI82/PG	ASB-STI82/PG	ATP-STI82/PG	200mm	50mm	103mm	76mm	-2C/PG	-3C/PG	-4C/PG
ATB-STI83/PG	ASB-STI83/PG	ATP-STI83/PG	200mm	75mm	128mm	101mm	-2C/PG	-3C/PG	-4C/PG
ATB-STI84/PG	ASB-STI84/PG	ATP-STI84/PG	200mm	100mm	153mm	126mm	-2C/PG	-3C/PG	-4C/PG
ATB-STI86/PG	ASB-STI86/PG	ATP-STI86/PG	200mm	150mm	203mm	176mm	-2C/PG	-3C/PG	-4C/PG
ATB-STI88/PG	ASB-STI88/PG	ATP-STI88/PG	200mm	200mm	253mm	226mm	-2C/PG	-3C/PG	-4C/PG
ATB-STI92/PG	ASB-STI92/PG	ATP-STI92/PG	225mm	50mm	103mm	76mm	-2C/PG	-3C/PG	-4C/PG
ATB-STI93/PG	ASB-STI93/PG	ATP-STI93/PG	225mm	75mm	128mm	101mm	-2C/PG	-3C/PG	-4C/PG
ATB-STI94/PG	ASB-STI94/PG	ATP-STI94/PG	225mm	100mm	153mm	126mm	-2C/PG	-3C/PG	-4C/PG
ATB-STI96/PG	ASB-STI96/PG	ATP-STI96/PG	225mm	150mm	203mm	176mm	-2C/PG	-3C/PG	-4C/PG
ATB-STI99/PG	ASB-STI99/PG	ATP-STI99/PG	225mm	225mm	278mm	251mm	-2C/PG	-3C/PG	-4C/PG
ATB-STI122/PG	ASB-STI122/PG	ATP-STI122/PG	300mm	50mm	103mm	76mm	-2C/PG	-3C/PG	-4C/PG
ATB-STI123/PG	ASB-STI123/PG	ATP-STI123/PG	300mm	75mm	128mm	101mm	-2C/PG	-3C/PG	-4C/PG
ATB-STI124/PG	ASB-STI124/PG	ATP-STI124/PG	300mm	100mm	153mm	126mm	-2C/PG	-3C/PG	-4C/PG
ATB-STI126/PG	ASB-STI126/PG	ATP-STI126/PG	300mm	150mm	203mm	176mm	-2C/PG	-3C/PG	-4C/PG
ATB-STI128/PG	ASB-STI128/PG	ATP-STI128/PG	300mm	200mm	253mm	226mm	-2C/PG	-3C/PG	-4C/PG
ATB-STI129/PG	ASB-STI129/PG	ATP-STI129/PG	300mm	225mm	278mm	251mm	-2C/PG	-3C/PG	-4C/PG
ATB-STI1212/PG	ASB-STI1212/PG	ATP-STI1212/PG	300mm	300mm	354mm	326mm	-2C/PG	-3C/PG	-4C/PG



ATB-GTO

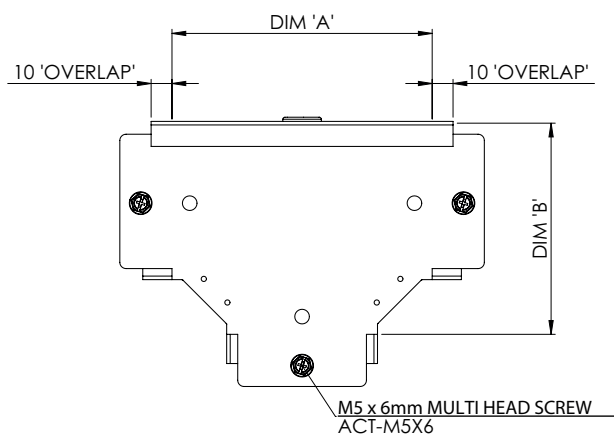
ATB - TURNBUCKLE



ASB - SCREWBUSH



ATP-TAMPERPROOF



Turnbuckle	Screwbush	Tamperproof	Width	Height	Dim A	Dim B	2 Comp	3 Comp	4 Comp
ATB-GTO22/PG	ASB-GTO22/PG	ATP-GTO22/PG	50mm	50mm	100mm	76mm	-2C/PG	X	X
ATB-GTO32/PG	ASB-GTO32/PG	ATP-GTO32/PG	75mm	50mm	100mm	76mm	-2C/PG	X	X
ATB-GTO33/PG	ASB-GTO33/PG	ATP-GTO33/PG	75mm	75mm	125mm	101mm	-2C/PG	X	X
ATB-GTO42/PG	ASB-GTO42/PG	ATP-GTO42/PG	100mm	50mm	100mm	76mm	-2C/PG	X	X
ATB-GTO43/PG	ASB-GTO43/PG	ATP-GTO43/PG	100mm	75mm	125mm	101mm	-2C/PG	X	X
ATB-GTO44/PG	ASB-GTO44/PG	ATP-GTO44/PG	100mm	100mm	150mm	126mm	-2C/PG	X	X
ATB-GTO62/PG	ASB-GTO62/PG	ATP-GTO62/PG	150mm	50mm	100mm	76mm	-2C/PG	-3C/PG	X
ATB-GTO63/PG	ASB-GTO63/PG	ATP-GTO63/PG	150mm	75mm	125mm	101mm	-2C/PG	-3C/PG	X
ATB-GTO64/PG	ASB-GTO64/PG	ATP-GTO64/PG	150mm	100mm	150mm	126mm	-2C/PG	-3C/PG	X
ATB-GTO66/PG	ASB-GTO66/PG	ATP-GTO66/PG	150mm	150mm	200mm	176mm	-2C/PG	-3C/PG	X
ATB-GTO82/PG	ASB-GTO82/PG	ATP-GTO82/PG	200mm	50mm	100mm	76mm	-2C/PG	-3C/PG	-4C/PG
ATB-GTO83/PG	ASB-GTO83/PG	ATP-GTO83/PG	200mm	75mm	125mm	101mm	-2C/PG	-3C/PG	-4C/PG
ATB-GTO84/PG	ASB-GTO84/PG	ATP-GTO84/PG	200mm	100mm	150mm	126mm	-2C/PG	-3C/PG	-4C/PG
ATB-GTO86/PG	ASB-GTO86/PG	ATP-GTO86/PG	200mm	150mm	200mm	176mm	-2C/PG	-3C/PG	-4C/PG
ATB-GTO88/PG	ASB-GTO88/PG	ATP-GTO88/PG	200mm	200mm	250mm	226mm	-2C/PG	-3C/PG	-4C/PG
ATB-GTO92/PG	ASB-GTO92/PG	ATP-GTO92/PG	225mm	50mm	100mm	76mm	-2C/PG	-3C/PG	-4C/PG
ATB-GTO93/PG	ASB-GTO93/PG	ATP-GTO93/PG	225mm	75mm	125mm	101mm	-2C/PG	-3C/PG	-4C/PG
ATB-GTO94/PG	ASB-GTO94/PG	ATP-GTO94/PG	225mm	100mm	150mm	126mm	-2C/PG	-3C/PG	-4C/PG
ATB-GTO96/PG	ASB-GTO96/PG	ATP-GTO96/PG	225mm	150mm	200mm	176mm	-2C/PG	-3C/PG	-4C/PG
ATB-GTO99/PG	ASB-GTO99/PG	ATP-GTO99/PG	225mm	225mm	274mm	251mm	-2C/PG	-3C/PG	-4C/PG
ATB-GTO122/PG	ASB-GTO122/PG	ATP-GTO122/PG	300mm	50mm	100mm	76mm	-2C/PG	-3C/PG	-4C/PG
ATB-GTO123/PG	ASB-GTO123/PG	ATP-GTO123/PG	300mm	75mm	125mm	101mm	-2C/PG	-3C/PG	-4C/PG
ATB-GTO124/PG	ASB-GTO124/PG	ATP-GTO124/PG	300mm	100mm	150mm	126mm	-2C/PG	-3C/PG	-4C/PG
ATB-GTO126/PG	ASB-GTO126/PG	ATP-GTO126/PG	300mm	150mm	200mm	176mm	-2C/PG	-3C/PG	-4C/PG
ATB-GTO128/PG	ASB-GTO128/PG	ATP-GTO128/PG	300mm	200mm	250mm	226mm	-2C/PG	-3C/PG	-4C/PG
ATB-GTO129/PG	ASB-GTO129/PG	ATP-GTO129/PG	300mm	225mm	274mm	251mm	-2C/PG	-3C/PG	-4C/PG
ATB-GTO1212/PG	ASB-GTO1212/PG	ATP-GTO1212/PG	300mm	300mm	349mm	326mm	-2C/PG	-3C/PG	-4C/PG

SHARP TEE OUTSIDE LID PRE-GALV

FOR ALTERNATIVE FINISH OPTIONS PLEASE SEE P.47



ATB - TURNBUCKLE



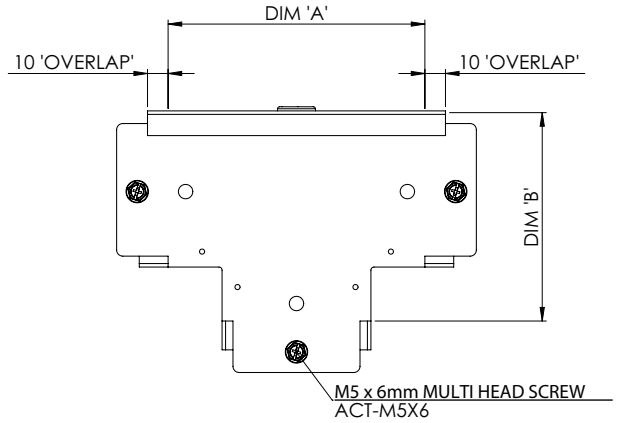
ASB - SCREWBUSH



ATP - TAMPERPROOF



ATB-STO



Turnbuckle	Screwbush	Tamperproof	Width	Height	Dim A	Dim B	2 Comp	3 Comp	4 Comp
ATB-STO22/PG	ASB-STO22/PG	ATP-STO22/PG	50mm	50mm	100mm	76mm	-2C/PG	X	X
ATB-STO32/PG	ASB-STO32/PG	ATP-STO32/PG	75mm	50mm	100mm	76mm	-2C/PG	X	X
ATB-STO33/PG	ASB-STO33/PG	ATP-STO33/PG	75mm	75mm	125mm	101mm	-2C/PG	X	X
ATB-STO42/PG	ASB-STO42/PG	ATP-STO42/PG	100mm	50mm	100mm	76mm	-2C/PG	X	X
ATB-STO43/PG	ASB-STO43/PG	ATP-STO43/PG	100mm	75mm	125mm	101mm	-2C/PG	X	X
ATB-STO44/PG	ASB-STO44/PG	ATP-STO44/PG	100mm	100mm	150mm	126mm	-2C/PG	X	X
ATB-STO62/PG	ASB-STO62/PG	ATP-STO62/PG	150mm	50mm	100mm	76mm	-2C/PG	-3C/PG	X
ATB-STO63/PG	ASB-STO63/PG	ATP-STO63/PG	150mm	75mm	125mm	101mm	-2C/PG	-3C/PG	X
ATB-STO64/PG	ASB-STO64/PG	ATP-STO64/PG	150mm	100mm	150mm	126mm	-2C/PG	-3C/PG	X
ATB-STO66/PG	ASB-STO66/PG	ATP-STO66/PG	150mm	150mm	200mm	176mm	-2C/PG	-3C/PG	X
ATB-STO82/PG	ASB-STO82/PG	ATP-STO82/PG	200mm	50mm	100mm	76mm	-2C/PG	-3C/PG	-4C/PG
ATB-STO83/PG	ASB-STO83/PG	ATP-STO83/PG	200mm	75mm	125mm	101mm	-2C/PG	-3C/PG	-4C/PG
ATB-STO84/PG	ASB-STO84/PG	ATP-STO84/PG	200mm	100mm	150mm	126mm	-2C/PG	-3C/PG	-4C/PG
ATB-STO86/PG	ASB-STO86/PG	ATP-STO86/PG	200mm	150mm	200mm	176mm	-2C/PG	-3C/PG	-4C/PG
ATB-STO88/PG	ASB-STO88/PG	ATP-STO88/PG	200mm	200mm	250mm	226mm	-2C/PG	-3C/PG	-4C/PG
ATB-STO92/PG	ASB-STO92/PG	ATP-STO92/PG	225mm	50mm	100mm	76mm	-2C/PG	-3C/PG	-4C/PG
ATB-STO93/PG	ASB-STO93/PG	ATP-STO93/PG	225mm	75mm	125mm	101mm	-2C/PG	-3C/PG	-4C/PG
ATB-STO94/PG	ASB-STO94/PG	ATP-STO94/PG	225mm	100mm	150mm	126mm	-2C/PG	-3C/PG	-4C/PG
ATB-STO96/PG	ASB-STO96/PG	ATP-STO96/PG	225mm	150mm	200mm	176mm	-2C/PG	-3C/PG	-4C/PG
ATB-STO99/PG	ASB-STO99/PG	ATP-STO99/PG	225mm	225mm	274mm	251mm	-2C/PG	-3C/PG	-4C/PG
ATB-STO122/PG	ASB-STO122/PG	ATP-STO122/PG	300mm	50mm	100mm	76mm	-2C/PG	-3C/PG	-4C/PG
ATB-STO123/PG	ASB-STO123/PG	ATP-STO123/PG	300mm	75mm	125mm	101mm	-2C/PG	-3C/PG	-4C/PG
ATB-STO124/PG	ASB-STO124/PG	ATP-STO124/PG	300mm	100mm	150mm	126mm	-2C/PG	-3C/PG	-4C/PG
ATB-STO126/PG	ASB-STO126/PG	ATP-STO126/PG	300mm	150mm	200mm	176mm	-2C/PG	-3C/PG	-4C/PG
ATB-STO128/PG	ASB-STO128/PG	ATP-STO128/PG	300mm	200mm	250mm	226mm	-2C/PG	-3C/PG	-4C/PG
ATB-STO129/PG	ASB-STO129/PG	ATP-STO129/PG	300mm	225mm	274mm	251mm	-2C/PG	-3C/PG	-4C/PG
ATB-STO1212/PG	ASB-STO1212/PG	ATP-STO1212/PG	300mm	300mm	349mm	326mm	-2C/PG	-3C/PG	-4C/PG

Screwbush Information p.40 - Tamperproof Information p.42 - Technical Specification p.48

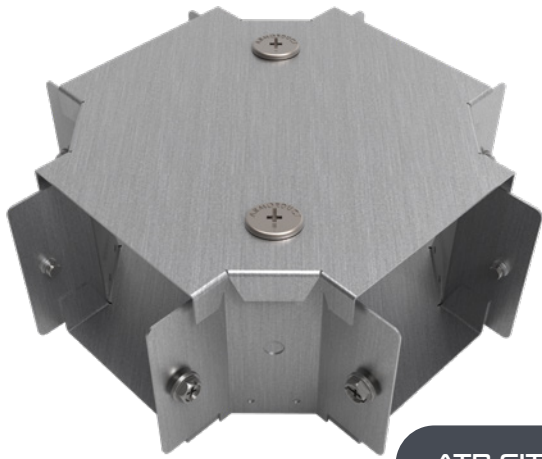
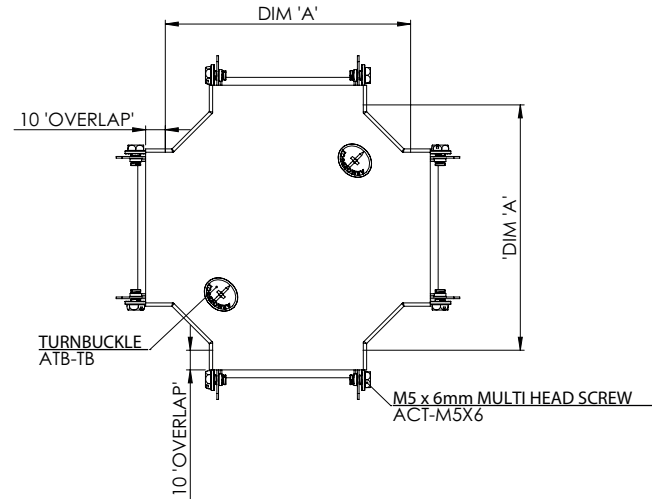
ATB - TURNBUCKLE



ASB - SCREWBUSH



ATP - TAMPERPROOF



ATB-GIT

Turnbuckle	Screwbush	Tamperproof	Width	Height	Dim A	2 Comp	3 Comp	4 Comp
ATB-GIT22/PG	ASB-GIT22/PG	ATP-GIT22/PG	50mm	50mm	100mm	-2C/PG	X	X
ATB-GIT32/PG	ASB-GIT32/PG	ATP-GIT32/PG	75mm	50mm	125mm	-2C/PG	X	X
ATB-GIT33/PG	ASB-GIT33/PG	ATP-GIT33/PG	75mm	75mm	125mm	-2C/PG	X	X
ATB-GIT42/PG	ASB-GIT42/PG	ATP-GIT42/PG	100mm	50mm	150mm	-2C/PG	X	X
ATB-GIT43/PG	ASB-GIT43/PG	ATP-GIT43/PG	100mm	75mm	150mm	-2C/PG	X	X
ATB-GIT44/PG	ASB-GIT44/PG	ATP-GIT44/PG	100mm	100mm	150mm	-2C/PG	X	X
ATB-GIT62/PG	ASB-GIT62/PG	ATP-GIT62/PG	150mm	50mm	200mm	-2C/PG	-3C/PG	X
ATB-GIT63/PG	ASB-GIT63/PG	ATP-GIT63/PG	150mm	75mm	200mm	-2C/PG	-3C/PG	X
ATB-GIT64/PG	ASB-GIT64/PG	ATP-GIT64/PG	150mm	100mm	200mm	-2C/PG	-3C/PG	X
ATB-GIT66/PG	ASB-GIT66/PG	ATP-GIT66/PG	150mm	150mm	200mm	-2C/PG	-3C/PG	X
ATB-GIT82/PG	ASB-GIT82/PG	ATP-GIT82/PG	200mm	50mm	250mm	-2C/PG	-3C/PG	-4C/PG
ATB-GIT83/PG	ASB-GIT83/PG	ATP-GIT83/PG	200mm	75mm	250mm	-2C/PG	-3C/PG	-4C/PG
ATB-GIT84/PG	ASB-GIT84/PG	ATP-GIT84/PG	200mm	100mm	250mm	-2C/PG	-3C/PG	-4C/PG
ATB-GIT86/PG	ASB-GIT86/PG	ATP-GIT86/PG	200mm	150mm	250mm	-2C/PG	-3C/PG	-4C/PG
ATB-GIT88/PG	ASB-GIT88/PG	ATP-GIT88/PG	200mm	200mm	250mm	-2C/PG	-3C/PG	-4C/PG
ATB-GIT92/PG	ASB-GIT92/PG	ATP-GIT92/PG	225mm	50mm	274mm	-2C/PG	-3C/PG	-4C/PG
ATB-GIT93/PG	ASB-GIT93/PG	ATP-GIT93/PG	225mm	75mm	274mm	-2C/PG	-3C/PG	-4C/PG
ATB-GIT94/PG	ASB-GIT94/PG	ATP-GIT94/PG	225mm	100mm	274mm	-2C/PG	-3C/PG	-4C/PG
ATB-GIT96/PG	ASB-GIT96/PG	ATP-GIT96/PG	225mm	150mm	274mm	-2C/PG	-3C/PG	-4C/PG
ATB-GIT99/PG	ASB-GIT99/PG	ATP-GIT99/PG	225mm	225mm	274mm	-2C/PG	-3C/PG	-4C/PG
ATB-GIT122/PG	ASB-GIT122/PG	ATP-GIT122/PG	300mm	50mm	349mm	-2C/PG	-3C/PG	-4C/PG
ATB-GIT123/PG	ASB-GIT123/PG	ATP-GIT123/PG	300mm	75mm	349mm	-2C/PG	-3C/PG	-4C/PG
ATB-GIT124/PG	ASB-GIT124/PG	ATP-GIT124/PG	300mm	100mm	349mm	-2C/PG	-3C/PG	-4C/PG
ATB-GIT126/PG	ASB-GIT126/PG	ATP-GIT126/PG	300mm	150mm	349mm	-2C/PG	-3C/PG	-4C/PG
ATB-GIT128/PG	ASB-GIT128/PG	ATP-GIT128/PG	300mm	200mm	349mm	-2C/PG	-3C/PG	-4C/PG
ATB-GIT129/PG	ASB-GIT129/PG	ATP-GIT129/PG	300mm	225mm	349mm	-2C/PG	-3C/PG	-4C/PG
ATB-GIT1212/PG	ASB-GIT1212/PG	ATP-GIT1212/PG	300mm	300mm	349mm	-2C/PG	-3C/PG	-4C/PG

SHARP INTERSECTION TOP LID PRE-GALV

FOR ALTERNATIVE FINISH OPTIONS PLEASE SEE P.47



ATB - TURNBUCKLE



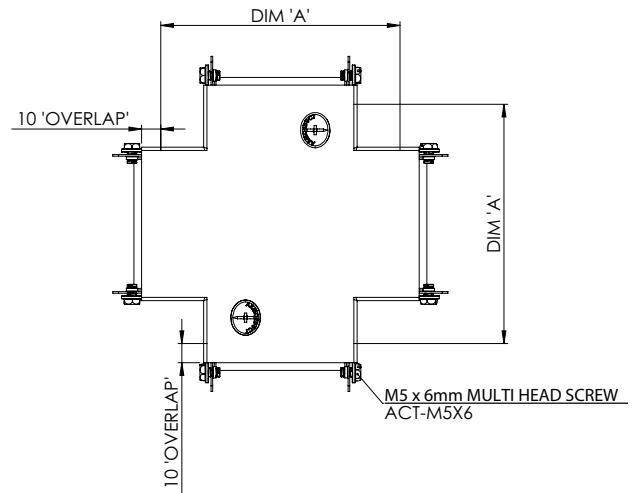
ASB - SCREWBUSH



ATP-TAMPERPROOF



ATB-SIT



Turnbuckle	Screwbush	Tamperproof	Width	Height	Dim A	2 Comp	3 Comp	4 Comp
ATB-SIT22/PG	ASB-SIT22/PG	ATP-SIT22/PG	50mm	50mm	100mm	-2C/PG	X	X
ATB-SIT32/PG	ASB-SIT32/PG	ATP-SIT32/PG	75mm	50mm	125mm	-2C/PG	X	X
ATB-SIT33/PG	ASB-SIT33/PG	ATP-SIT33/PG	75mm	75mm	125mm	-2C/PG	X	X
ATB-SIT42/PG	ASB-SIT42/PG	ATP-SIT42/PG	100mm	50mm	150mm	-2C/PG	X	X
ATB-SIT43/PG	ASB-SIT43/PG	ATP-SIT43/PG	100mm	75mm	150mm	-2C/PG	X	X
ATB-SIT44/PG	ASB-SIT44/PG	ATP-SIT44/PG	100mm	100mm	150mm	-2C/PG	X	X
ATB-SIT62/PG	ASB-SIT62/PG	ATP-SIT62/PG	150mm	50mm	200mm	-2C/PG	-3C/PG	X
ATB-SIT63/PG	ASB-SIT63/PG	ATP-SIT63/PG	150mm	75mm	200mm	-2C/PG	-3C/PG	X
ATB-SIT64/PG	ASB-SIT64/PG	ATP-SIT64/PG	150mm	100mm	200mm	-2C/PG	-3C/PG	X
ATB-SIT66/PG	ASB-SIT66/PG	ATP-SIT66/PG	150mm	150mm	200mm	-2C/PG	-3C/PG	X
ATB-SIT82/PG	ASB-SIT82/PG	ATP-SIT82/PG	200mm	50mm	250mm	-2C/PG	-3C/PG	-4C/PG
ATB-SIT83/PG	ASB-SIT83/PG	ATP-SIT83/PG	200mm	75mm	250mm	-2C/PG	-3C/PG	-4C/PG
ATB-SIT84/PG	ASB-SIT84/PG	ATP-SIT84/PG	200mm	100mm	250mm	-2C/PG	-3C/PG	-4C/PG
ATB-SIT86/PG	ASB-SIT86/PG	ATP-SIT86/PG	200mm	150mm	250mm	-2C/PG	-3C/PG	-4C/PG
ATB-SIT88/PG	ASB-SIT88/PG	ATP-SIT88/PG	200mm	200mm	250mm	-2C/PG	-3C/PG	-4C/PG
ATB-SIT92/PG	ASB-SIT92/PG	ATP-SIT92/PG	225mm	50mm	274mm	-2C/PG	-3C/PG	-4C/PG
ATB-SIT93/PG	ASB-SIT93/PG	ATP-SIT93/PG	225mm	75mm	274mm	-2C/PG	-3C/PG	-4C/PG
ATB-SIT94/PG	ASB-SIT94/PG	ATP-SIT94/PG	225mm	100mm	274mm	-2C/PG	-3C/PG	-4C/PG
ATB-SIT96/PG	ASB-SIT96/PG	ATP-SIT96/PG	225mm	150mm	274mm	-2C/PG	-3C/PG	-4C/PG
ATB-SIT99/PG	ASB-SIT99/PG	ATP-SIT99/PG	225mm	225mm	274mm	-2C/PG	-3C/PG	-4C/PG
ATB-SIT122/PG	ASB-SIT122/PG	ATP-SIT122/PG	300mm	50mm	349mm	-2C/PG	-3C/PG	-4C/PG
ATB-SIT123/PG	ASB-SIT123/PG	ATP-SIT123/PG	300mm	75mm	349mm	-2C/PG	-3C/PG	-4C/PG
ATB-SIT124/PG	ASB-SIT124/PG	ATP-SIT124/PG	300mm	100mm	349mm	-2C/PG	-3C/PG	-4C/PG
ATB-SIT126/PG	ASB-SIT126/PG	ATP-SIT126/PG	300mm	150mm	349mm	-2C/PG	-3C/PG	-4C/PG
ATB-SIT128/PG	ASB-SIT128/PG	ATP-SIT128/PG	300mm	200mm	349mm	-2C/PG	-3C/PG	-4C/PG
ATB-SIT129/PG	ASB-SIT129/PG	ATP-SIT129/PG	300mm	225mm	349mm	-2C/PG	-3C/PG	-4C/PG
ATB--SIT1212/PG	ASB-SIT1212/PG	ATP-SIT1212/PG	300mm	300mm	349mm	-2C/PG	-3C/PG	-4C/PG

Screwbush Information p.40 - Tamperproof Information p.42 - Technical Specification p.48



ATB - TURNBUCKLE



IP4X
COMPLIANT

ASB - SCREWBUSH

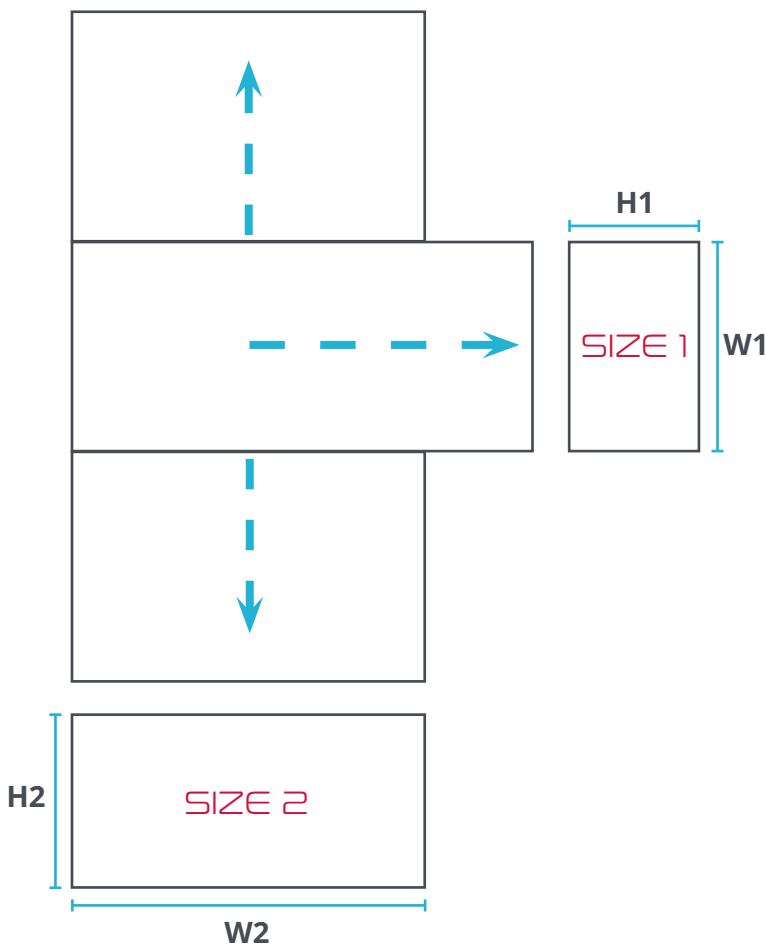


ATP - TAMPERPROOF

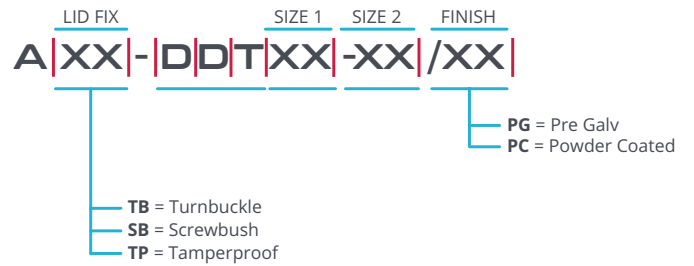


ATB-DDT

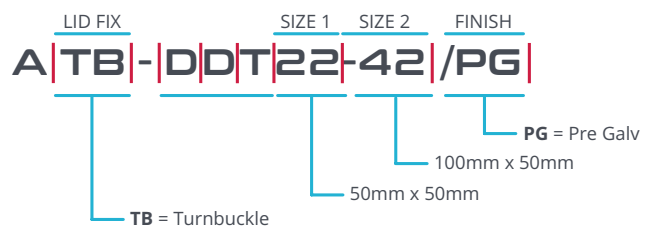
DOUBLE DEPTH TEE GUIDE



	SIZE 1		SIZE 2	
SIZE	W1	H1	W2	H2
50mm	2	2	2	2
75mm	3	3	3	3
100mm	4	4	4	4
150mm	6	6	6	6
200mm	8	8	8	8
225mm	9	9	9	9
300mm	12	12	12	12



Example:

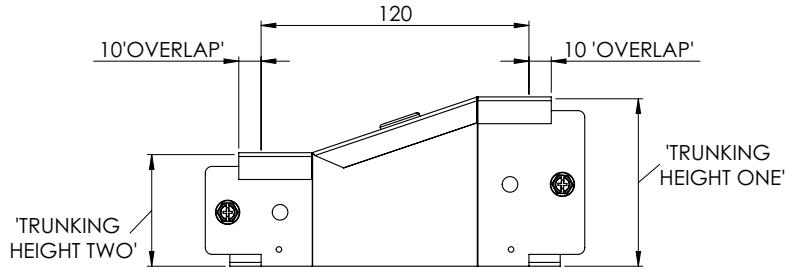


FLARED REDUCER PRE-GALV

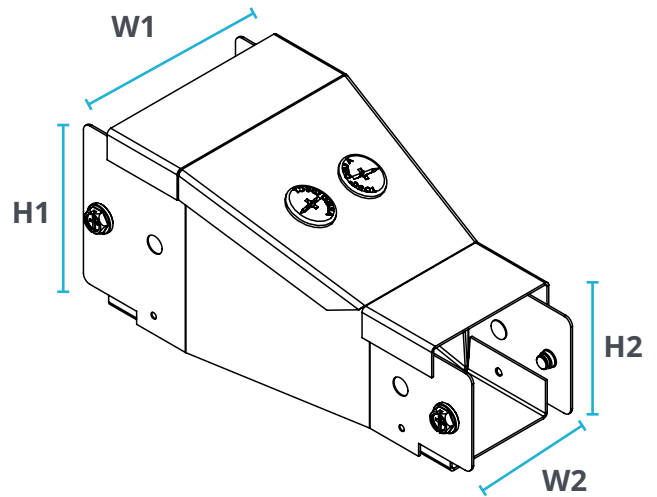
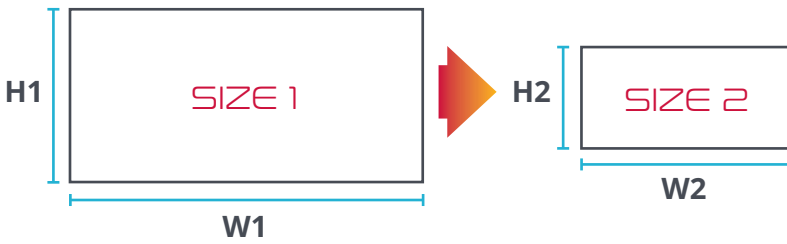
FOR ALTERNATIVE FINISH OPTIONS PLEASE SEE P.47



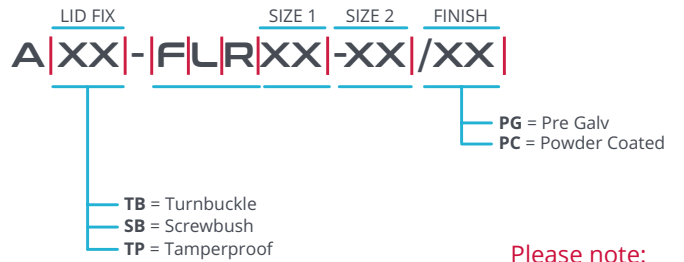
ATB-FLR



FLARED REDUCER GUIDE

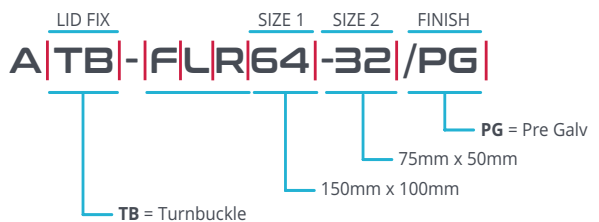


	SIZE 1		SIZE 2	
SIZE	W1	H1	W2	H2
50mm	2	2	2	2
75mm	3	3	3	3
100mm	4	4	4	4
150mm	6	6	6	6
200mm	8	8	8	8
225mm	9	9	9	9
300mm	12	12	12	12



Please note:
SIZE 1 area must be greater than SIZE 2

Example:





ATB-BM

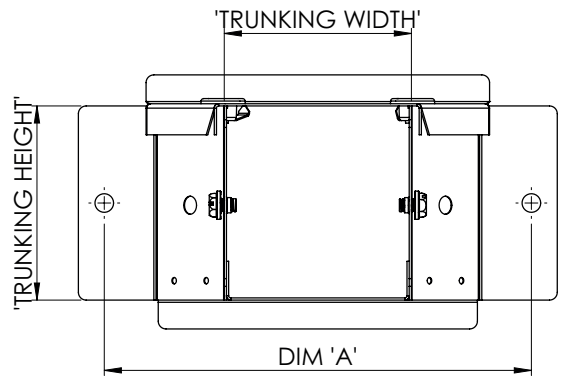
ATB - TURNBUCKLE



ASB - SCREWBUSH



ATP - TAMPERPROOF



Turnbuckle	Screwbush	Tamperproof	Width	Height	Dim A	2 Comp	3 Comp	4 Comp
ATB-BM22/PG	ASB-BM22/PG	ATP-BM22/PG	50mm	50mm	140mm	-2C/PG	X	X
ATB-BM32/PG	ASB-BM32/PG	ATP-BM32/PG	75mm	50mm	165mm	-2C/PG	X	X
ATB-BM33/PG	ASB-BM33/PG	ATP-BM33/PG	75mm	75mm	165mm	-2C/PG	X	X
ATB-BM42/PG	ASB-BM42/PG	ATP-BM42/PG	100mm	50mm	190mm	-2C/PG	X	X
ATB-BM43/PG	ASB-BM43/PG	ATP-BM43/PG	100mm	75mm	190mm	-2C/PG	X	X
ATB-BM44/PG	ASB-BM44/PG	ATP-BM44/PG	100mm	100mm	190mm	-2C/PG	X	X
ATB-BM62/PG	ASB-BM62/PG	ATP-BM62/PG	150mm	50mm	240mm	-2C/PG	-3C/PG	X
ATB-BM63/PG	ASB-BM63/PG	ATP-BM63/PG	150mm	75mm	240mm	-2C/PG	-3C/PG	X
ATB-BM64/PG	ASB-BM64/PG	ATP-BM64/PG	150mm	100mm	240mm	-2C/PG	-3C/PG	X
ATB-BM66/PG	ASB-BM66/PG	ATP-BM66/PG	150mm	150mm	240mm	-2C/PG	-3C/PG	X
ATB-BM82/PG	ASB-BM82/PG	ATP-BM82/PG	200mm	50mm	290mm	-2C/PG	-3C/PG	-4C/PG
ATB-BM83/PG	ASB-BM83/PG	ATP-BM83/PG	200mm	75mm	290mm	-2C/PG	-3C/PG	-4C/PG
ATB-BM84/PG	ASB-BM84/PG	ATP-BM84/PG	200mm	100mm	290mm	-2C/PG	-3C/PG	-4C/PG
ATB-BM86/PG	ASB-BM86/PG	ATP-BM86/PG	200mm	150mm	290mm	-2C/PG	-3C/PG	-4C/PG
ATB-BM88/PG	ASB-BM88/PG	ATP-BM88/PG	200mm	200mm	290mm	-2C/PG	-3C/PG	-4C/PG
ATB-BM92/PG	ASB-BM92/PG	ATP-BM92/PG	225mm	50mm	315mm	-2C/PG	-3C/PG	-4C/PG
ATB-BM93/PG	ASB-BM93/PG	ATP-BM93/PG	225mm	75mm	315mm	-2C/PG	-3C/PG	-4C/PG
ATB-BM94/PG	ASB-BM94/PG	ATP-BM94/PG	225mm	100mm	315mm	-2C/PG	-3C/PG	-4C/PG
ATB-BM96/PG	ASB-BM96/PG	ATP-BM96/PG	225mm	150mm	315mm	-2C/PG	-3C/PG	-4C/PG
ATB-BM99/PG	ASB-BM99/PG	ATP-BM99/PG	225mm	225mm	315mm	-2C/PG	-3C/PG	-4C/PG
ATB-BM122/PG	ASB-BM122/PG	ATP-BM122/PG	300mm	50mm	390mm	-2C/PG	-3C/PG	-4C/PG
ATB-BM123/PG	ASB-BM123/PG	ATP-BM123/PG	300mm	75mm	390mm	-2C/PG	-3C/PG	-4C/PG
ATB-BM124/PG	ASB-BM124/PG	ATP-BM124/PG	300mm	100mm	390mm	-2C/PG	-3C/PG	-4C/PG
ATB-BM126/PG	ASB-BM126/PG	ATP-BM126/PG	300mm	150mm	390mm	-2C/PG	-3C/PG	-4C/PG
ATB-BM128/PG	ASB-BM128/PG	ATP-BM128/PG	300mm	200mm	390mm	-2C/PG	-3C/PG	-4C/PG
ATB-BM129/PG	ASB-BM129/PG	ATP-BM129/PG	300mm	225mm	390mm	-2C/PG	-3C/PG	-4C/PG
ATB-BM1212/PG	ASB-BM1212/PG	ATP-BM1212/PG	300mm	300mm	390mm	-2C/PG	-3C/PG	-4C/PG

FLANGE PLATE FITTING PRE-GALV

FOR ALTERNATIVE FINISH OPTIONS PLEASE SEE P.47



ATB-PPF

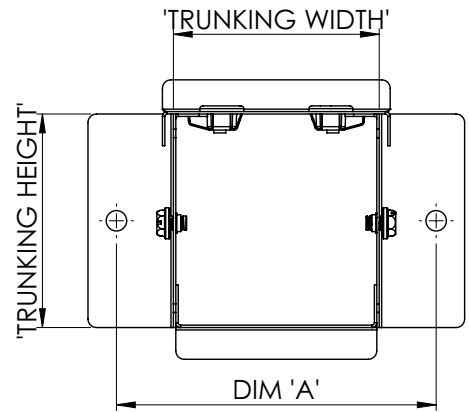
ATB - TURNBUCKLE



ASB - SCREWBUSH



ATP-TAMPERPROOF

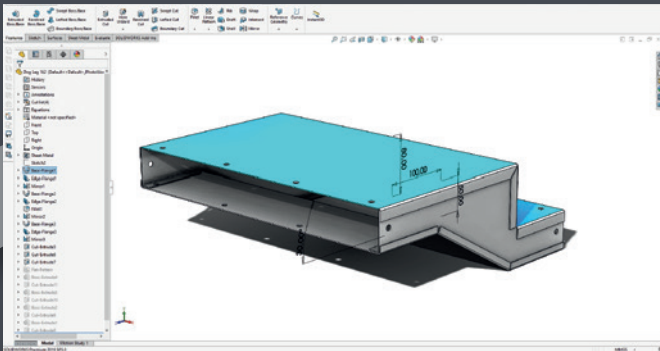


Turnbuckle	Screwbush	Tamperproof	Width	Height	Dim A	2 Comp	3 Comp	4 Comp
ATB-PPF22/PG	ASB-PPF22/PG	ATP-PPF22/PG	50mm	50mm	87mm	-2C/PG	X	X
ATB-PPF32/PG	ASB-PPF32/PG	ATP-PPF32/PG	75mm	50mm	112mm	-2C/PG	X	X
ATB-PPF33/PG	ASB-PPF33/PG	ATP-PPF33/PG	75mm	75mm	112mm	-2C/PG	X	X
ATB-PPF42/PG	ASB-PPF42/PG	ATP-PPF42/PG	100mm	50mm	137mm	-2C/PG	X	X
ATB-PPF43/PG	ASB-PPF43/PG	ATP-PPF43/PG	100mm	75mm	137mm	-2C/PG	X	X
ATB-PPF44/PG	ASB-PPF44/PG	ATP-PPF44/PG	100mm	100mm	137mm	-2C/PG	X	X
ATB-PPF62/PG	ASB-PPF62/PG	ATP-PPF62/PG	150mm	50mm	187mm	-2C/PG	-3C/PG	X
ATB-PPF63/PG	ASB-PPF63/PG	ATP-PPF63/PG	150mm	75mm	187mm	-2C/PG	-3C/PG	X
ATB-PPF64/PG	ASB-PPF64/PG	ATP-PPF64/PG	150mm	100mm	187mm	-2C/PG	-3C/PG	X
ATB-PPF66/PG	ASB-PPF66/PG	ATP-PPF66/PG	150mm	150mm	187mm	-2C/PG	-3C/PG	X
ATB-PPF82/PG	ASB-PPF82/PG	ATP-PPF82/PG	200mm	50mm	237mm	-2C/PG	-3C/PG	-4C/PG
ATB-PPF83/PG	ASB-PPF83/PG	ATP-PPF83/PG	200mm	75mm	237mm	-2C/PG	-3C/PG	-4C/PG
ATB-PPF84/PG	ASB-PPF84/PG	ATP-PPF84/PG	200mm	100mm	237mm	-2C/PG	-3C/PG	-4C/PG
ATB-PPF86/PG	ASB-PPF86/PG	ATP-PPF86/PG	200mm	150mm	237mm	-2C/PG	-3C/PG	-4C/PG
ATB-PPF88/PG	ASB-PPF88/PG	ATP-PPF88/PG	200mm	200mm	237mm	-2C/PG	-3C/PG	-4C/PG
ATB-PPF92/PG	ASB-PPF92/PG	ATP-PPF92/PG	225mm	50mm	262mm	-2C/PG	-3C/PG	-4C/PG
ATB-PPF93/PG	ASB-PPF93/PG	ATP-PPF93/PG	225mm	75mm	262mm	-2C/PG	-3C/PG	-4C/PG
ATB-PPF94/PG	ASB-PPF94/PG	ATP-PPF94/PG	225mm	100mm	262mm	-2C/PG	-3C/PG	-4C/PG
ATB-PPF96/PG	ASB-PPF96/PG	ATP-PPF96/PG	225mm	150mm	262mm	-2C/PG	-3C/PG	-4C/PG
ATB-PPF99/PG	ASB-PPF99/PG	ATP-PPF99/PG	225mm	225mm	262mm	-2C/PG	-3C/PG	-4C/PG
ATB-PPF122/PG	ASB-PPF122/PG	ATP-PPF122/PG	300mm	50mm	337mm	-2C/PG	-3C/PG	-4C/PG
ATB-PPF123/PG	ASB-PPF123/PG	ATP-PPF123/PG	300mm	75mm	337mm	-2C/PG	-3C/PG	-4C/PG
ATB-PPF124/PG	ASB-PPF124/PG	ATP-PPF124/PG	300mm	100mm	337mm	-2C/PG	-3C/PG	-4C/PG
ATB-PPF126/PG	ASB-PPF126/PG	ATP-PPF126/PG	300mm	150mm	337mm	-2C/PG	-3C/PG	-4C/PG
ATB-PPF128/PG	ASB-PPF128/PG	ATP-PPF128/PG	300mm	200mm	337mm	-2C/PG	-3C/PG	-4C/PG
ATB-PPF129/PG	ASB-PPF129/PG	ATP-PPF129/PG	300mm	225mm	337mm	-2C/PG	-3C/PG	-4C/PG
ATB-PPF1212/PG	ASB-PPF1212/PG	ATP-PPF1212/PG	300mm	300mm	337mm	-2C/PG	-3C/PG	-4C/PG

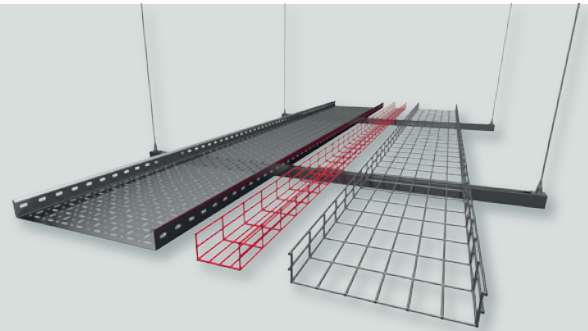
BIGGER – Capacity and capabilities to support any volume, large or small

BETTER – Experience and expertise to provide standard systems and custom-designed products

BRITISH – Over 25 years of UK manufacturing, passionately supporting national projects



DESIGN



DEVELOP



MANUFACTURE



DELIVER



sales@armorduct.com

01384 233445



25

YEARS

FITTING COUPLER ADAPTOR PRE-GALV
FOR ALTERNATIVE FINISH OPTIONS PLEASE SEE P.47



ATB - TURNBUCKLE



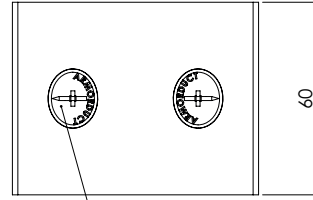
ASB - SCREWBUSH



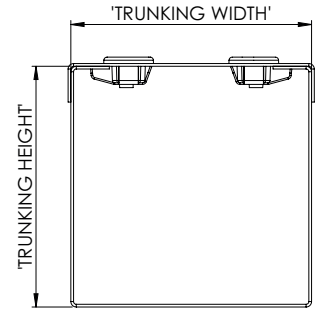
ATP-TAMPERPROOF



ATB-FCA



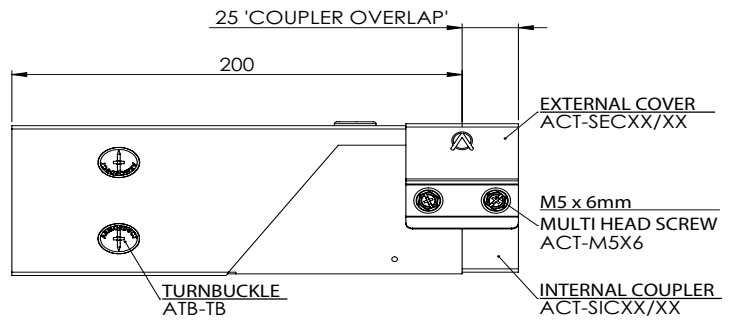
TURNBUCKLE
ATB-TB



Turnbuckle	Screwbush	Tamperproof	Width	Height	Length	2 Comp	3 Comp	4 Comp
ATB-FCA22/PG	ASB-FCA22/PG	ATP-FCA22/PG	50mm	50mm	60mm	-2C/PG	X	X
ATB-FCA32/PG	ASB-FCA32/PG	ATP-FCA32/PG	75mm	50mm	60mm	-2C/PG	X	X
ATB-FCA33/PG	ASB-FCA33/PG	ATP-FCA33/PG	75mm	75mm	60mm	-2C/PG	X	X
ATB-FCA42/PG	ASB-FCA42/PG	ATP-FCA42/PG	100mm	50mm	60mm	-2C/PG	X	X
ATB-FCA43/PG	ASB-FCA43/PG	ATP-FCA43/PG	100mm	75mm	60mm	-2C/PG	X	X
ATB-FCA44/PG	ASB-FCA44/PG	ATP-FCA44/PG	100mm	100mm	60mm	-2C/PG	X	X
ATB-FCA62/PG	ASB-FCA62/PG	ATP-FCA62/PG	150mm	50mm	60mm	-2C/PG	-3C/PG	X
ATB-FCA63/PG	ASB-FCA63/PG	ATP-FCA63/PG	150mm	75mm	60mm	-2C/PG	-3C/PG	X
ATB-FCA64/PG	ASB-FCA64/PG	ATP-FCA64/PG	150mm	100mm	60mm	-2C/PG	-3C/PG	X
ATB-FCA66/PG	ASB-FCA66/PG	ATP-FCA66/PG	150mm	150mm	60mm	-2C/PG	-3C/PG	X
ATB-FCA82/PG	ASB-FCA82/PG	ATP-FCA82/PG	200mm	50mm	60mm	-2C/PG	-3C/PG	-4C/PG
ATB-FCA83/PG	ASB-FCA83/PG	ATP-FCA83/PG	200mm	75mm	60mm	-2C/PG	-3C/PG	-4C/PG
ATB-FCA84/PG	ASB-FCA84/PG	ATP-FCA84/PG	200mm	100mm	60mm	-2C/PG	-3C/PG	-4C/PG
ATB-FCA86/PG	ASB-FCA86/PG	ATP-FCA86/PG	200mm	150mm	60mm	-2C/PG	-3C/PG	-4C/PG
ATB-FCA88/PG	ASB-FCA88/PG	ATP-FCA88/PG	200mm	200mm	60mm	-2C/PG	-3C/PG	-4C/PG
ATB-FCA92/PG	ASB-FCA92/PG	ATP-FCA92/PG	225mm	50mm	60mm	-2C/PG	-3C/PG	-4C/PG
ATB-FCA93/PG	ASB-FCA93/PG	ATP-FCA93/PG	225mm	75mm	60mm	-2C/PG	-3C/PG	-4C/PG
ATB-FCA94/PG	ASB-FCA94/PG	ATP-FCA94/PG	225mm	100mm	60mm	-2C/PG	-3C/PG	-4C/PG
ATB-FCA96/PG	ASB-FCA96/PG	ATP-FCA96/PG	225mm	150mm	60mm	-2C/PG	-3C/PG	-4C/PG
ATB-FCA99/PG	ASB-FCA99/PG	ATP-FCA99/PG	225mm	225mm	60mm	-2C/PG	-3C/PG	-4C/PG
ATB-FCA122/PG	ASB-FCA122/PG	ATP-FCA122/PG	300mm	50mm	60mm	-2C/PG	-3C/PG	-4C/PG
ATB-FCA123/PG	ASB-FCA123/PG	ATP-FCA123/PG	300mm	75mm	60mm	-2C/PG	-3C/PG	-4C/PG
ATB-FCA124/PG	ASB-FCA124/PG	ATP-FCA124/PG	300mm	100mm	60mm	-2C/PG	-3C/PG	-4C/PG
ATB-FCA126/PG	ASB-FCA126/PG	ATP-FCA126/PG	300mm	150mm	60mm	-2C/PG	-3C/PG	-4C/PG
ATB-FCA128/PG	ASB-FCA128/PG	ATP-FCA128/PG	300mm	200mm	60mm	-2C/PG	-3C/PG	-4C/PG
ATB-FCA129/PG	ASB-FCA129/PG	ATP-FCA129/PG	300mm	225mm	60mm	-2C/PG	-3C/PG	-4C/PG
ATB-FCA1212/PG	ASB-FCA1212/PG	ATP-FCA1212/PG	300mm	300mm	60mm	-2C/PG	-3C/PG	-4C/PG



ATB-COFL

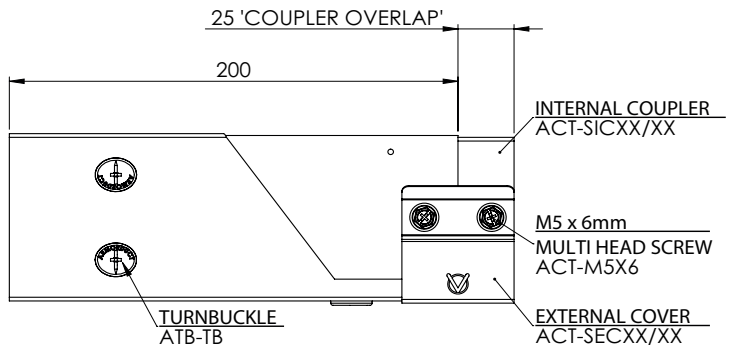


Turnbuckle	Screwbush	Tamperproof	Width	Height	Length
ATB-COFL22/PG	ASB-COFL22/PG	ATP-COFL22/PG	50mm	50mm	200mm
ATB-COFL33/PG	ASB-COFL33/PG	ATP-COFL33/PG	75mm	75mm	200mm
ATB-COFL44/PG	ASB-COFL44/PG	ATP-COFL44/PG	100mm	100mm	200mm
ATB-COFL66/PG	ASB-COFL66/PG	ATP-COFL66/PG	150mm	150mm	200mm
ATB-COFL88/PG	ASB-COFL88/PG	ATP-COFL88/PG	200mm	200mm	200mm
ATB-COFL99/PG	ASB-COFL99/PG	ATP-COFL99/PG	225mm	225mm	200mm
ATB-COFL1212/PG	ASB-COFL1212/PG	ATP-COFL1212/PG	300mm	300mm	200mm

CHANGE OF FACE RIGHT HAND PRE-GALV



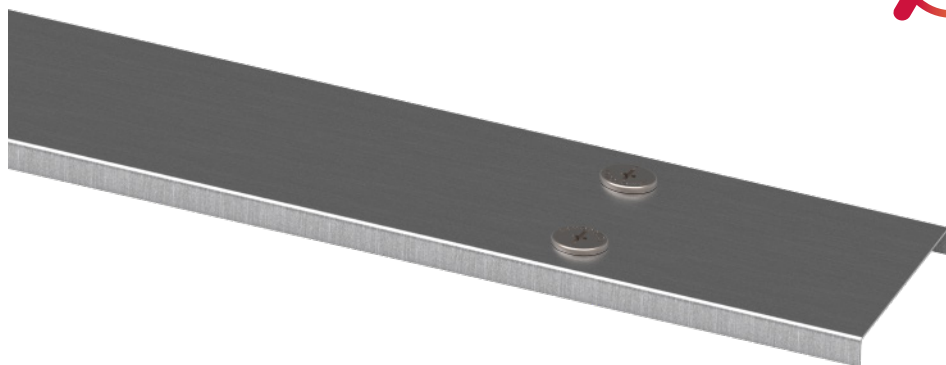
ATB-COFR



Turnbuckle	Screwbush	Tamperproof	Width	Height	Length
ATB-COFR22/PG	ASB-COFR22/PG	ATP-COFR22/PG	50mm	50mm	200mm
ATB-COFR33/PG	ASB-COFR33/PG	ATP-COFR33/PG	75mm	75mm	200mm
ATB-COFR44/PG	ASB-COFR44/PG	ATP-COFR44/PG	100mm	100mm	200mm
ATB-COFR66/PG	ASB-COFR66/PG	ATP-COFR66/PG	150mm	150mm	200mm
ATB-COFR88/PG	ASB-COFR88/PG	ATP-COFR88/PG	200mm	200mm	200mm
ATB-COFR99/PG	ASB-COFR99/PG	ATP-COFR99/PG	225mm	225mm	200mm
ATB-COFR1212/PG	ASB-COFR1212/PG	ATP-COFR1212/PG	300mm	300mm	200mm

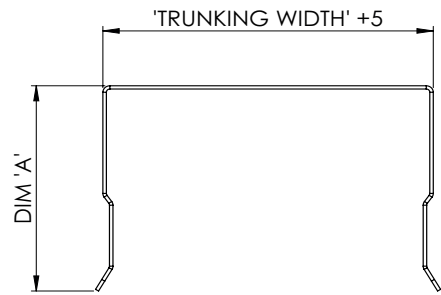
LENGTH LID PRE-GALV 3m (AS SEPARATE PART)

FOR ALTERNATIVE FINISH OPTIONS PLEASE SEE P.47



Turnbuckle	Screwbush	Tamperproof	Width	Length
ATB2/LID/PG	ASB2/LID/PG	ATP2/LID/PG	50mm	3000mm
ATB3/LID/PG	ASB3/LID/PG	ATP3/LID/PG	75mm	3000mm
ATB4/LID/PG	ASB4/LID/PG	ATP4/LID/PG	100mm	3000mm
ATB6/LID/PG	ASB6/LID/PG	ATP6/LID/PG	150mm	3000mm
ATB8/LID/PG	ASB8/LID/PG	ATP8/LID/PG	200mm	3000mm
ATB9/LID/PG	ASB9/LID/PG	ATP9/LID/PG	225mm	3000mm
ATB12/LID/PG	ASB12/LID/PG	ATP12/LID/PG	300mm	3000mm





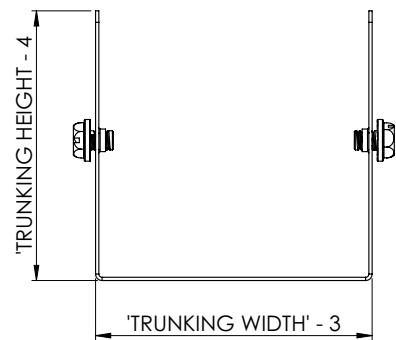
Universal	Width	Height	Dim A	Universal	Width	Height	Dim A	Universal	Width	Height	Dim A
ACT-SEC22/PG	50mm	50mm	41mm	ACT-SEC66/PG	150mm	150mm	54mm	ACT-SEC96/PG	225mm	150mm	54mm
ACT-SEC32/PG	75mm	50mm	41mm	ACT-SEC82/PG	200mm	50mm	41mm	ACT-SEC99/PG	225mm	225mm	66mm
ACT-SEC33/PG	75mm	75mm	54mm	ACT-SEC83/PG	200mm	75mm	54mm	ACT-SEC122/PG	300mm	50mm	41mm
ACT-SEC42/PG	100mm	50mm	41mm	ACT-SEC84/PG	200mm	100mm	66mm	ACT-SEC123/PG	300mm	75mm	54mm
ACT-SEC43/PG	100mm	75mm	54mm	ACT-SEC86/PG	200mm	150mm	54mm	ACT-SEC124/PG	300mm	100mm	66mm
ACT-SEC44/PG	100mm	100mm	66mm	ACT-SEC88/PG	200mm	200mm	66mm	ACT-SEC126/PG	300mm	150mm	54mm
ACT-SEC62/PG	150mm	50mm	41mm	ACT-SEC92/PG	225mm	50mm	41mm	ACT-SEC128/PG	300mm	200mm	66mm
ACT-SEC63/PG	150mm	75mm	54mm	ACT-SEC93/PG	225mm	75mm	54mm	ACT-SEC129/PG	300mm	225mm	66mm
ACT-SEC64/PG	150mm	100mm	66mm	ACT-SEC94/PG	225mm	100mm	66mm	ACT-SEC1212/PG	300mm	300mm	66mm



FOR TAMPERPROOF
INTERNAL COUPLER
SEE p.44



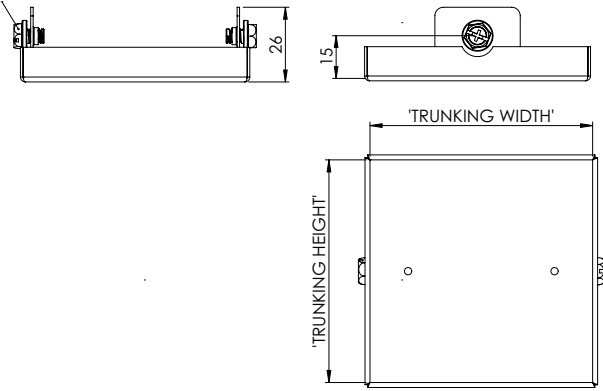
SHORT INTERNAL COUPLER PRE-GALV
FOR ALTERNATIVE FINISH OPTIONS PLEASE SEE P.47



Universal	Width	Height	Universal	Width	Height	Universal	Width	Height
ACT-SIC22/PG	50mm	50mm	ACT-SIC66/PG	150mm	150mm	ACT-SIC96/PG	225mm	150mm
ACT-SIC32/PG	75mm	50mm	ACT-SIC82/PG	200mm	50mm	ACT-SIC99/PG	225mm	225mm
ACT-SIC33/PG	75mm	75mm	ACT-SIC83/PG	200mm	75mm	ACT-SIC122/PG	300mm	50mm
ACT-SIC42/PG	100mm	50mm	ACT-SIC84/PG	200mm	100mm	ACT-SIC123/PG	300mm	75mm
ACT-SIC43/PG	100mm	75mm	ACT-SIC86/PG	200mm	150mm	ACT-SIC124/PG	300mm	100mm
ACT-SIC44/PG	100mm	100mm	ACT-SIC88/PG	200mm	200mm	ACT-SIC126/PG	300mm	150mm
ACT-SIC62/PG	150mm	50mm	ACT-SIC92/PG	225mm	50mm	ACT-SIC128/PG	300mm	200mm
ACT-SIC63/PG	150mm	75mm	ACT-SIC93/PG	225mm	75mm	ACT-SIC129/PG	300mm	225mm
ACT-SIC64/PG	150mm	100mm	ACT-SIC94/PG	225mm	100mm	ACT-SIC1212/PG	300mm	300mm



M5 x 6mm MULTI HEAD SCREW
ACT-M5X6



FOR
TAMPERPROOF
END CAP
SEE p.44

ACT-EC

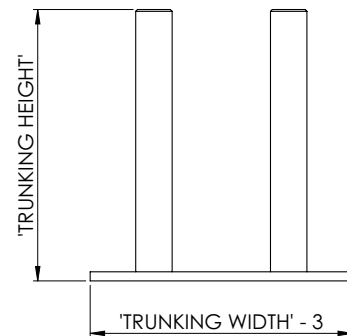
Universal	Width	Height	Universal	Width	Height	Universal	Width	Height
ACT-EC22/PG	50mm	50mm	ACT-EC66/PG	150mm	150mm	ACT-EC96/PG	225mm	150mm
ACT-EC32/PG	75mm	50mm	ACT-EC82/PG	200mm	50mm	ACT-EC99/PG	225mm	225mm
ACT-EC33/PG	75mm	75mm	ACT-EC83/PG	200mm	75mm	ACT-EC122/PG	300mm	50mm
ACT-EC42/PG	100mm	50mm	ACT-EC84/PG	200mm	100mm	ACT-EC123/PG	300mm	75mm
ACT-EC43/PG	100mm	75mm	ACT-EC86/PG	200mm	150mm	ACT-EC124/PG	300mm	100mm
ACT-EC44/PG	100mm	100mm	ACT-EC88/PG	200mm	200mm	ACT-EC126/PG	300mm	150mm
ACT-EC62/PG	150mm	50mm	ACT-EC92/PG	225mm	50mm	ACT-EC128/PG	300mm	200mm
ACT-EC63/PG	150mm	75mm	ACT-EC93/PG	225mm	75mm	ACT-EC129/PG	300mm	225mm
ACT-EC64/PG	150mm	100mm	ACT-EC94/PG	225mm	100mm	ACT-EC1212/PG	300mm	300mm

PIN RACK



ONLY AVAILABLE
IN PRE-GALV
FINISH

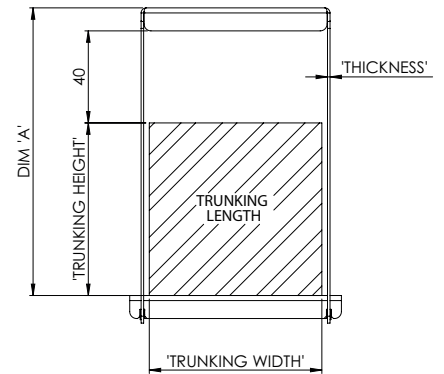
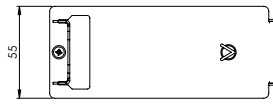
ACT-PR



Universal	Width	Height	Universal	Width	Height	Universal	Width	Height
ACT-PR22/PG	50mm	50mm	ACT-PR66/PG	150mm	150mm	ACT-PR96/PG	225mm	150mm
ACT-PR32/PG	75mm	50mm	ACT-PR82/PG	200mm	50mm	ACT-PR99/PG	225mm	225mm
ACT-PR33/PG	75mm	75mm	ACT-PR83/PG	200mm	75mm	ACT-PR122/PG	300mm	50mm
ACT-PR42/PG	100mm	50mm	ACT-PR84/PG	200mm	100mm	ACT-PR123/PG	300mm	75mm
ACT-PR43/PG	100mm	75mm	ACT-PR86/PG	200mm	150mm	ACT-PR124/PG	300mm	100mm
ACT-PR44/PG	100mm	100mm	ACT-PR88/PG	200mm	200mm	ACT-PR126/PG	300mm	150mm
ACT-PR62/PG	150mm	50mm	ACT-PR92/PG	225mm	50mm	ACT-PR128/PG	300mm	200mm
ACT-PR63/PG	150mm	75mm	ACT-PR93/PG	225mm	75mm	ACT-PR129/PG	300mm	225mm
ACT-PR64/PG	150mm	100mm	ACT-PR94/PG	225mm	100mm	ACT-PR1212/PG	300mm	300mm

SUSPENSION HANGER PRE-GALV

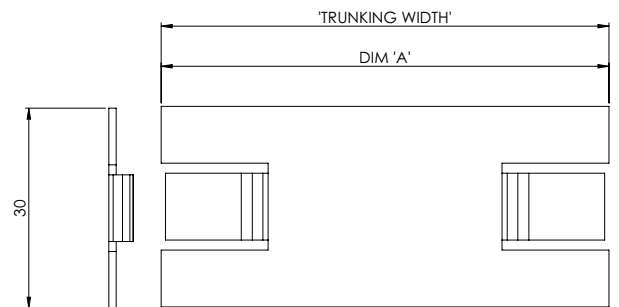
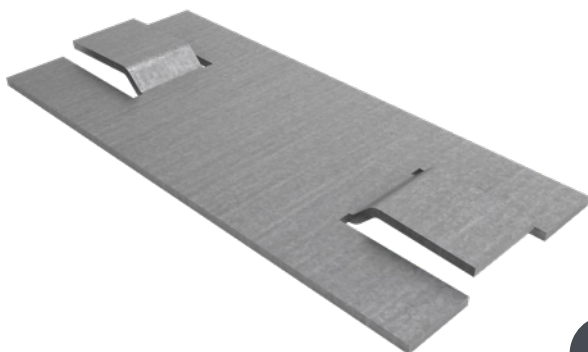
FOR ALTERNATIVE FINISH OPTIONS PLEASE SEE P.47



ACT-SH

Universal	Width	Height	Dim A	Universal	Width	Height	Dim A
ACT-SH22/PG	50mm	50mm	100mm	ACT-SH88/PG	200mm	200mm	250mm
ACT-SH32/PG	75mm	50mm	100mm	ACT-SH92/PG	225mm	50mm	100mm
ACT-SH33/PG	75mm	75mm	125mm	ACT-SH93/PG	225mm	75mm	125mm
ACT-SH42/PG	100mm	50mm	100mm	ACT-SH94/PG	225mm	100mm	150mm
ACT-SH43/PG	100mm	75mm	125mm	ACT-SH96/PG	225mm	150mm	200mm
ACT-SH44/PG	100mm	100mm	150mm	ACT-SH99/PG	225mm	225mm	275mm
ACT-SH62/PG	150mm	50mm	100mm	ACT-SH122/PG	300mm	50mm	100mm
ACT-SH63/PG	150mm	75mm	125mm	ACT-SH123/PG	300mm	75mm	125mm
ACT-SH64/PG	150mm	100mm	150mm	ACT-SH124/PG	300mm	100mm	150mm
ACT-SH66/PG	150mm	150mm	200mm	ACT-SH126/PG	300mm	150mm	200mm
ACT-SH82/PG	200mm	50mm	100mm	ACT-SH128/PG	300mm	200mm	250mm
ACT-SH83/PG	200mm	75mm	125mm	ACT-SH129/PG	300mm	225mm	275mm
ACT-SH84/PG	200mm	100mm	150mm	ACT-SH1212/PG	300mm	300mm	350mm
ACT-SH86/PG	200mm	150mm	200mm				

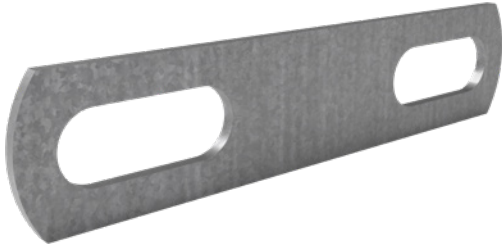
CABLE RETAINER



ACT-CR

Universal	Width	Dim A	Universal	Width	Dim A
ACT-CR2/PG	50mm	42mm	ACT-CR8/PG	200mm	192mm
ACT-CR3/PG	75mm	67mm	ACT-CR9/PG	225mm	217mm
ACT-CR4/PG	100mm	92mm	ACT-CR12/PG	300mm	292mm
ACT-CR6/PG	150mm	142mm			

EARTH LINK



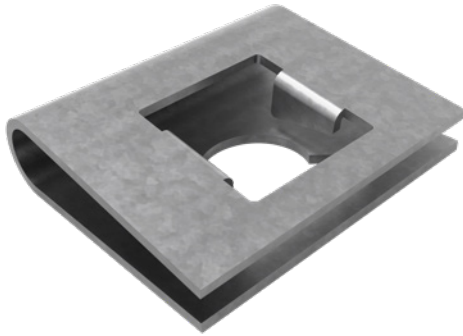
ACT-EL

TURNBUCKLE PRE-GALV



ATB-TB

SPIRE CLIP



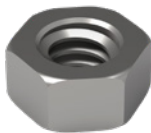
ACT-SC

DRILL TEMPLATE



ACT-DT

FULL HEX NUT



MULTI HEAD SERRATED SCREW



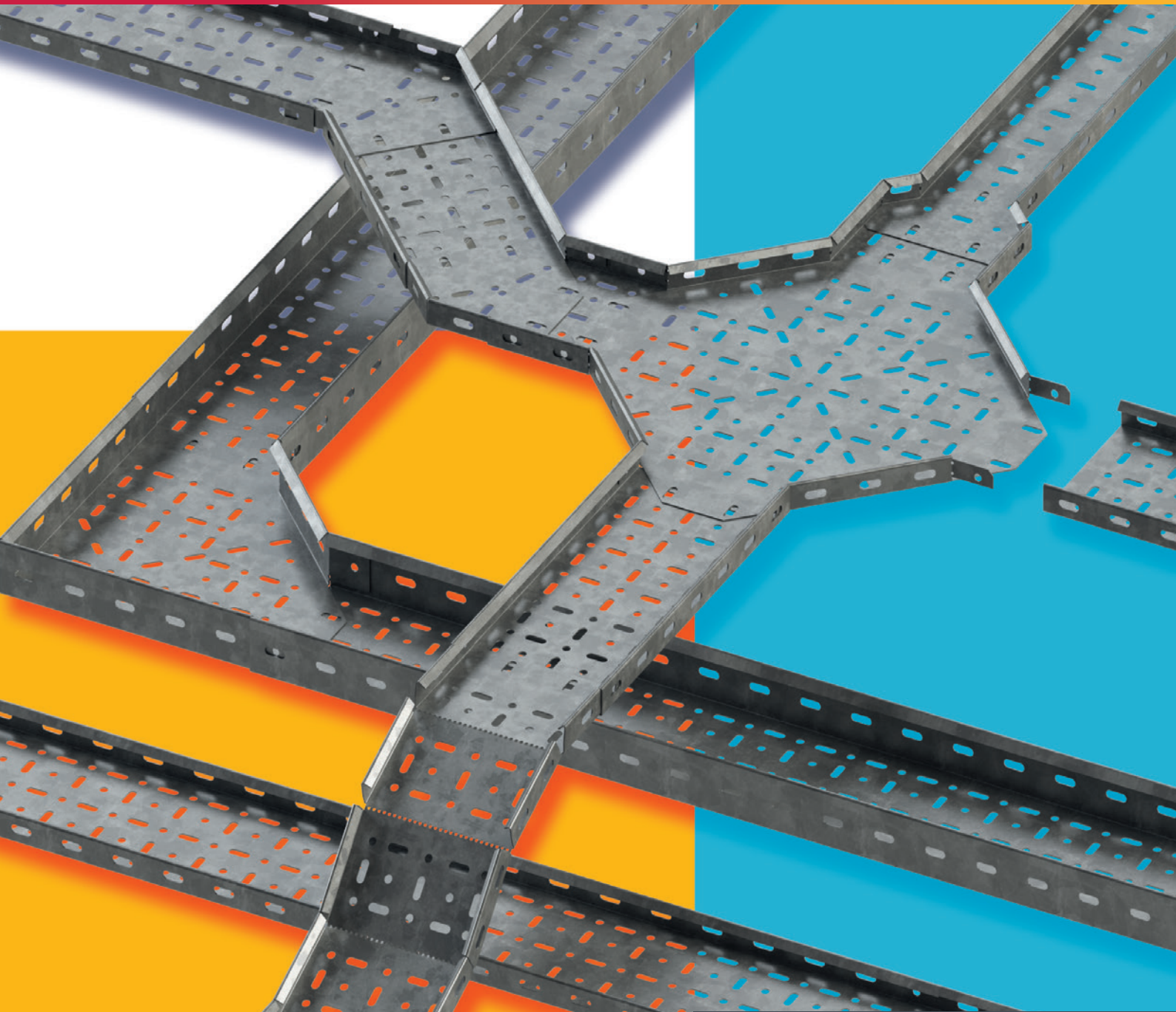
MULTI HEAD FOR BODY
 COUPLING / FIXING ONLY

ACT-M5/NUT	M5 Full Hex Nut Bright Zinc Plated
ACT-M5/NUT/SS316	M5 X Full Hex Nut Stainless Steel 316

ACT-M5X6	M5 X 6mm Bright Zinc Plated - single
ACT-M5X6/4	M5 X 6mm Bright Zinc Plated - 4 pack
ACT-M5X6/8	M5 X 6mm Bright Zinc Plated - 8 pack
ACT-M5X6/SS316	M5 X 6mm Stainless Steel 316 - single

- **Easy-fix Integrated Accessory Couplers**
CONNECTIONS ARE SIMPLER, FASTER & STRONGER
- **Light, Medium & Heavy Duty Tray**
UP TO AND INCLUDING WIDTHS OF 900mm
- **Accessories & Finishes**
FOR EVERY INSTALLATION AND ANY ENVIRONMENT

CABLE TRAY Systems



'ASB' - prefix

For installations that require more secure, vibration-proof lid fixings, our SCREWBUSH option allows for the attachment of lids using pan head POZI screws.

M5x10mm PAN HEAD POZI SCREW FOR LID FIXING

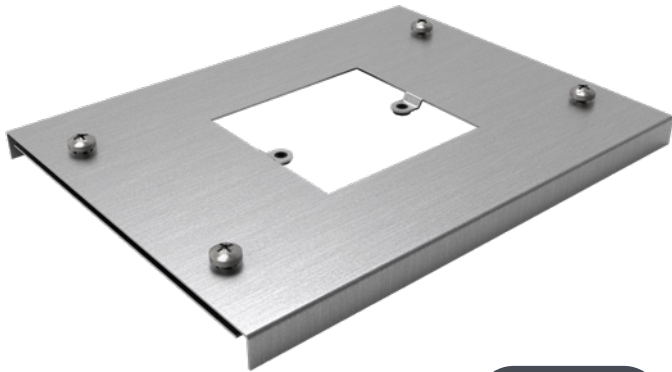


ACT-M5X10	M5 X 10mm Bright Zinc Plated
ACT-M5X10/SS316	M5 X 10mm Stainless Steel 316

M5x6mm MULTI HEAD SERRATED SCREW FOR BODY FIXING



ACT-M5X6	M5 X 6mm Bright Zinc Plated - single
ACT-M5X6/4	M5 X 6mm Bright Zinc Plated - 4 pack
ACT-M5X6/8	M5 X 6mm Bright Zinc Plated - 8 pack
ACT-M5X6/SS316	M5 X 6mm Stainless Steel 316 - single

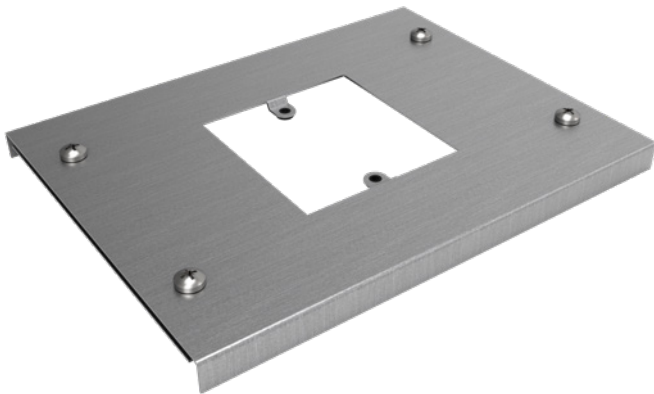
SCREWBUSH SINGLE SOCKET PLATE - PRE GALV

ASB-SSP

ASB-SSP4/PG	100mm
ASB-SSP6/PG	150mm
ASB-SSP8/PG	200mm
ASB-SSP9/PG	225mm
ASB-SSP12/PG	300mm

SCREWBUSH TWIN SOCKET PLATE - PRE GALV

ASB-TSP

ASB-TSP4/PG	100mm
ASB-TSP6/PG	150mm
ASB-TSP8/PG	200mm
ASB-TSP9/PG	225mm
ASB-TSP12/PG	300mm

SCREWBUSH VERTICAL SINGLE SOCKET PLATE - PRE GALV

ASB-SSPV

ASB-SSPV4/PG	100mm
ASB-SSPV6/PG	150mm
ASB-SSPV8/PG	200mm
ASB-SSPV9/PG	225mm
ASB-SSPV12/PG	300mm

SCREWBUSH VERTICAL TWIN SOCKET PLATE - PRE GALV

ASB-TSPV

ASB-TSPV9/PG	225mm
ASB-TSPV12/PG	300mm

'ATP' - prefix

For installations where anti-tamper fixings are required, our TAMPERPROOF option allows for the attachment of lids, fittings and couplers using pan head PIN TORX screws.

**M5x10mm PAN HEAD PIN TORX SCREW
FOR LID FIXING**



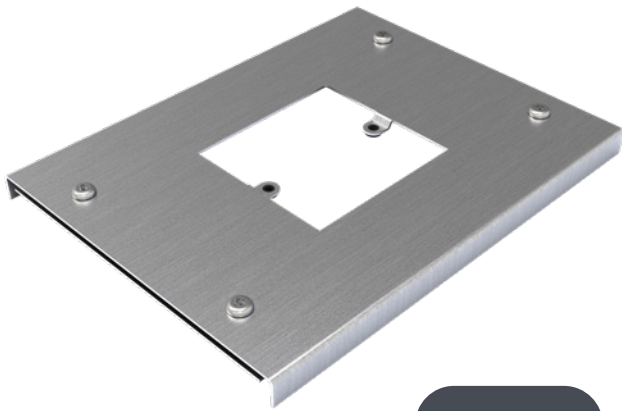
ATP-M5X10	M5 X 10mm Bright Zinc Plated
ATP-M5X10/SS316	M5 X 10mm Stainless Steel 316

**M5x6mm PAN HEAD PIN TORX SCREW
FOR BODY FIXING**



ATP-M5X6	M5 X 6mm Bright Zinc Plated
ATP-M5X6/SS316	M5 X 6mm Stainless Steel 316

**TAMPERPROOF
SINGLE SOCKET PLATE - PRE GALV**



ATP-SSP

ATP-SSP4/PG	100mm
ATP-SSP6/PG	150mm
ATP-SSP8/PG	200mm
ATP-SSP9/PG	225mm
ATP-SSP12/PG	300mm

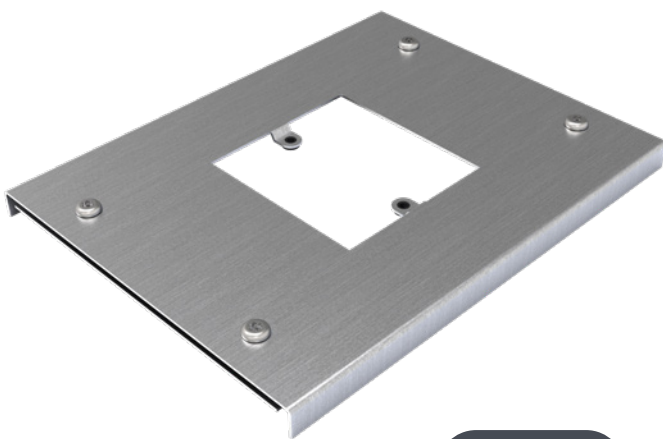
**TAMPERPROOF
TWIN SOCKET PLATE - PRE GALV**



ATP-TSP

ATP-TSP4/PG	100mm
ATP-TSP6/PG	150mm
ATP-TSP8/PG	200mm
ATP-TSP9/PG	225mm
ATP-TSP12/PG	300mm

**TAMPERPROOF VERTICAL
SINGLE SOCKET PLATE - PRE GALV**



ATP-SSPV

ATP-SSPV4/PG	100mm
ATP-SSPV6/PG	150mm
ATP-SSPV8/PG	200mm
ATP-SSPV9/PG	225mm
ATP-SSPV12/PG	300mm

**TAMPERPROOF VERTICAL
TWIN SOCKET PLATE - PRE GALV**

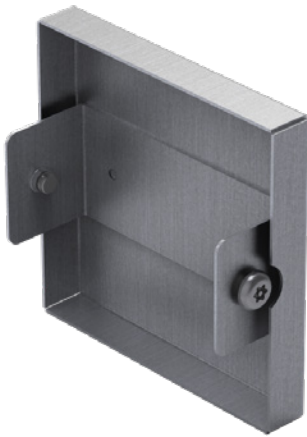


ATP-TSPV

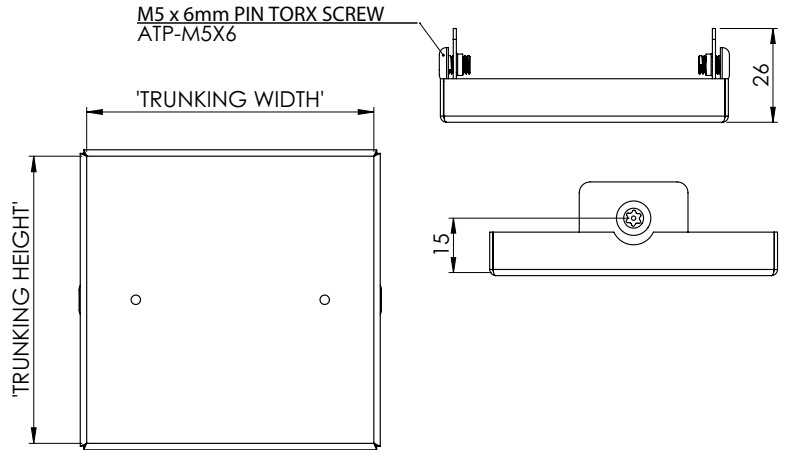
ATP-TSPV9/PG	225mm
ATP-TSPV12/PG	300mm

TAMPERPROOF END CAP

FOR ALTERNATIVE FINISH OPTIONS PLEASE SEE P.47



ATP-EC

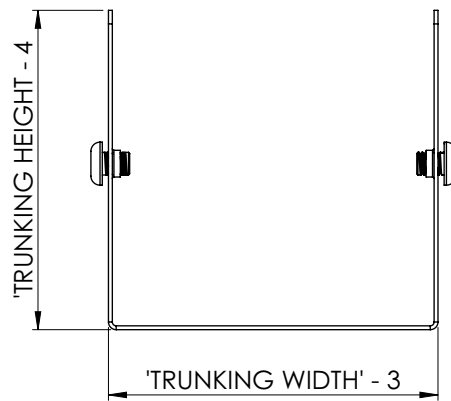


Universal	Width	Height	Universal	Width	Height	Universal	Width	Height
ATP-EC22/PG	50mm	50mm	ATP-EC66/PG	150mm	150mm	ATP-EC96/PG	225mm	150mm
ATP-EC32/PG	75mm	50mm	ATP-EC82/PG	200mm	50mm	ATP-EC99/PG	225mm	225mm
ATP-EC33/PG	75mm	75mm	ATP-EC83/PG	200mm	75mm	ATP-EC122/PG	300mm	50mm
ATP-EC42/PG	100mm	50mm	ATP-EC84/PG	200mm	100mm	ATP-EC123/PG	300mm	75mm
ATP-EC43/PG	100mm	75mm	ATP-EC86/PG	200mm	150mm	ATP-EC124/PG	300mm	100mm
ATP-EC44/PG	100mm	100mm	ATP-EC88/PG	200mm	200mm	ATP-EC126/PG	300mm	150mm
ATP-EC62/PG	150mm	50mm	ATP-EC92/PG	225mm	50mm	ATP-EC128/PG	300mm	200mm
ATP-EC63/PG	150mm	75mm	ATP-EC93/PG	225mm	75mm	ATP-EC129/PG	300mm	225mm
ATP-EC64/PG	150mm	100mm	ATP-EC94/PG	225mm	100mm	ATP-EC1212/PG	300mm	300mm



ATP-SIC

TAMPERPROOF INTERNAL COUPLER

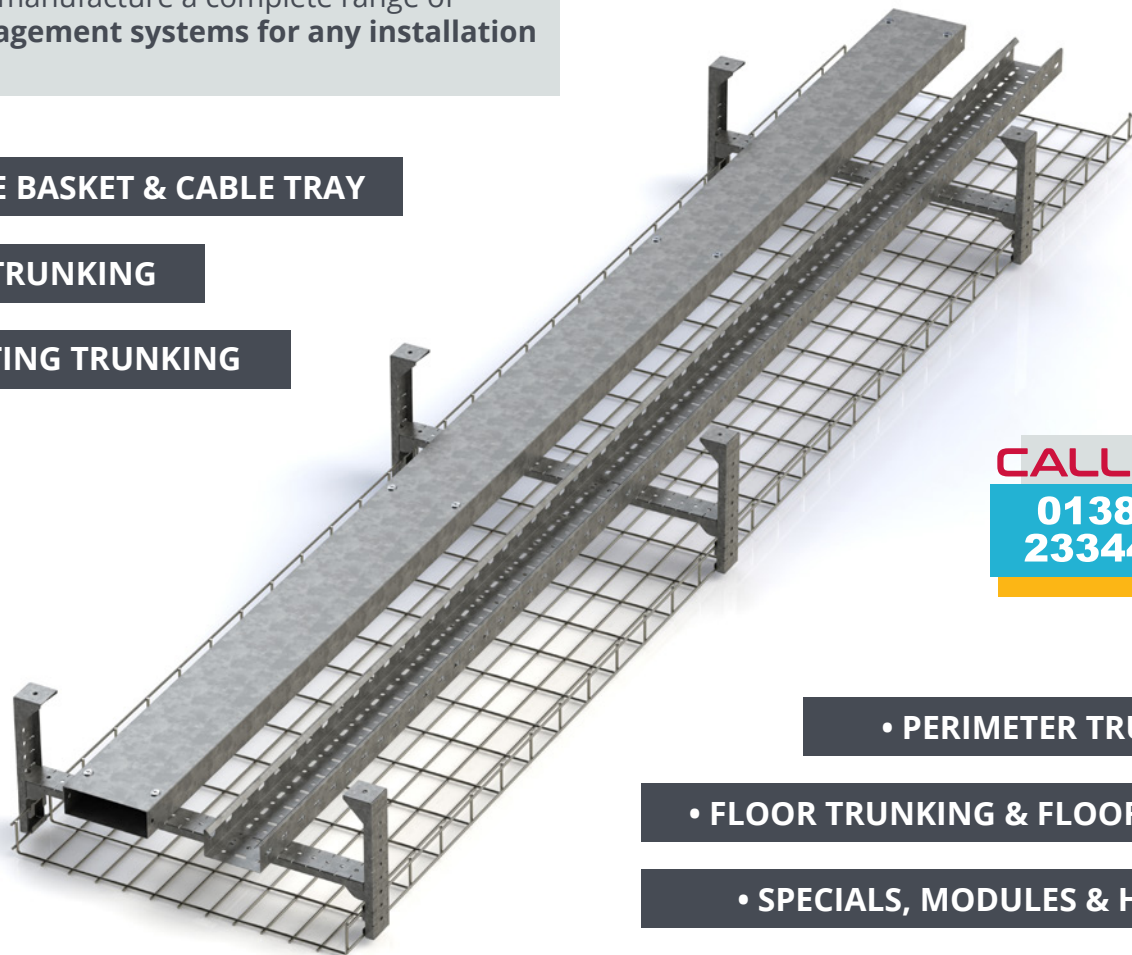


Universal	Width	Height	Universal	Width	Height	Universal	Width	Height
ATP-SIC22/PG	50mm	50mm	ATP-SIC66/PG	150mm	150mm	ATP-SIC96/PG	225mm	150mm
ATP-SIC32/PG	75mm	50mm	ATP-SIC82/PG	200mm	50mm	ATP-SIC99/PG	225mm	225mm
ATP-SIC33/PG	75mm	75mm	ATP-SIC83/PG	200mm	75mm	ATP-SIC122/PG	300mm	50mm
ATP-SIC42/PG	100mm	50mm	ATP-SIC84/PG	200mm	100mm	ATP-SIC123/PG	300mm	75mm
ATP-SIC43/PG	100mm	75mm	ATP-SIC86/PG	200mm	150mm	ATP-SIC124/PG	300mm	100mm
ATP-SIC44/PG	100mm	100mm	ATP-SIC88/PG	200mm	200mm	ATP-SIC126/PG	300mm	150mm
ATP-SIC62/PG	150mm	50mm	ATP-SIC92/PG	225mm	50mm	ATP-SIC128/PG	300mm	200mm
ATP-SIC63/PG	150mm	75mm	ATP-SIC93/PG	225mm	75mm	ATP-SIC129/PG	300mm	225mm
ATP-SIC64/PG	150mm	100mm	ATP-SIC94/PG	225mm	100mm	ATP-SIC1212/PG	300mm	300mm

COMPLETE CABLE MANAGEMENT SYSTEMS

Armorduct manufacture a complete range of cable management systems for any installation

- CABLE BASKET & CABLE TRAY
- IP4X TRUNKING
- LIGHTING TRUNKING



CALL
01384
233445

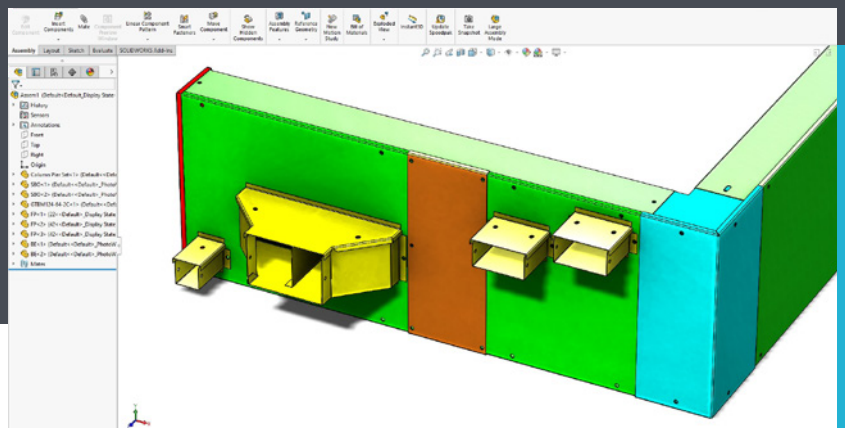
- PERIMETER TRUNKING
- FLOOR TRUNKING & FLOOR BOXES
- SPECIALS, MODULES & HYBRIDS

OUR IN-HOUSE ENGINEERING DEPARTMENT DESIGN TO YOUR REQUIREMENTS

WE DEVELOP

Bespoke Solutions

FOR ANY INSTALLATION

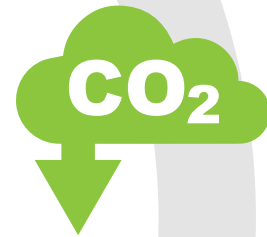


MAGNELIS

- PROTECTION FROM HARSH ENVIRONMENTS
- BETTER FOR THE ENVIRONMENT



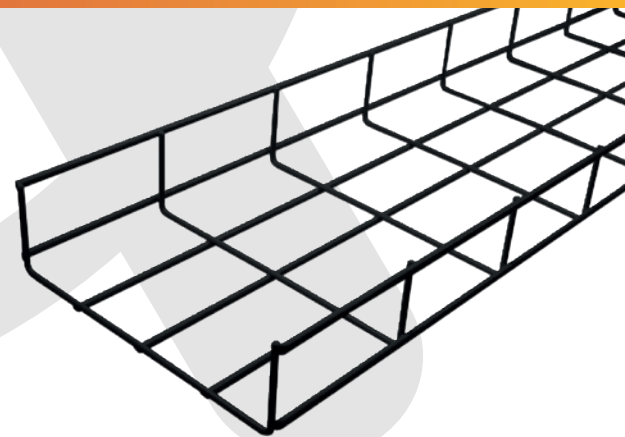
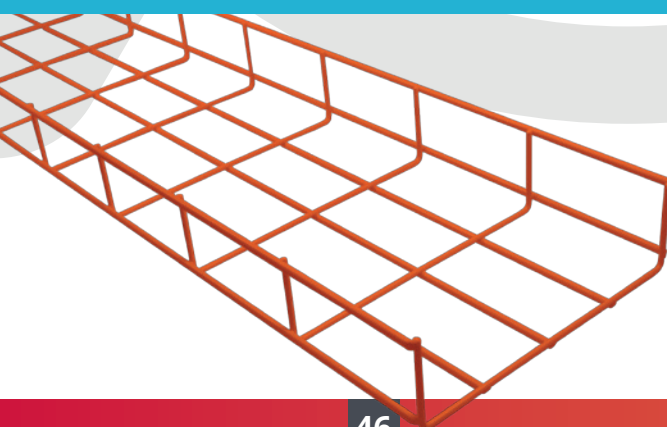
- Our Magnelis coating offers superior corrosion protection
CERTIFIED FOR C5 ENVIRONMENTAL CONDITIONS
- Self-healing properties for increased flexibility
MAGNELIS COATING SELF-HEALS OVER CUT ENDS
- Magnelis is our most eco-friendly finish
SIMPLER TO PRODUCE VS OTHER ANTI-CORROSION COATINGS
- Cost saving solution
EFFICIENT MANUFACTURING = LOWER COST THAN OTHER FINISHES



POWDERCOATING

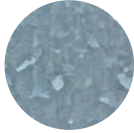
- HIGH QUALITY, DURABLE & FADE RESISTANT FINISH

- AVAILABLE IN YOUR CHOICE OF ANY RAL COLOUR



- PERFECT FOR AESTHETIC OR UNIQUE IDENTIFIER REQUIREMENTS

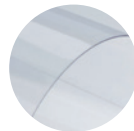
Please state your required finish using the suffix on the partcode e.g **ATB-GBT33/XXX** where 'XXX' is the finish



PRE-GALVANISED or PG. In accordance with BS EN 10346 : 2015 & DX51DZ-275MAC. This mild steel is pre-coated by the steel manufacturer. The finished product has a smooth and glossy appearance. Suitable for an indoor environment but not recommended for an external installation.

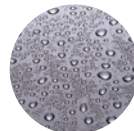


POWDER COATED or PC. In accordance with BS EN 13438: 2013. Recommended for interior use although the extra coating in conjunction with the galvanising process does make it non corrosive to a higher standard than the basic PG. A great solution when you have aesthetic or unique identifier considerations, select your finish in any RAL colour number. Armorduct's

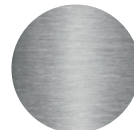


CLEAR POLYESTER COATED or CPC. Meets the full requirements of BS6496/7. Recommended for use in both interior and exterior applications. It is established as an alternative to the traditional post-galvanising process. Uses of CPC finish include installation in corrosive atmospheres such as chemical plants, battery rooms, marine environments or general outside use where post galvanised or stainless steel systems have been commonly specified in the past. In such installations, CPC offers a more cost effective solution when combining the factors of mechanical performance, ease of installation and endurance. An option in our CPC offering is **LOW SMOKE & FUME** OR LSF. Low smoke and fume protection houses fewer plastics, reducing risk by releasing less smoke and poisonous gases. Generally used in tunnels, basements and underground stations.

SCREWBUSH & TAMPERPROOF ONLY



MAGNELIS or MAG. Complies to BS EN 10346:2015 (DX51D+ZM175). This is an innovative metallic coating that offers self-healing properties through a cathodic process that eliminates the need for galv spraying any cuts on site. Magnelis is generally used as a greener alternative to HDG – please contact our sales team for the **results of our 1000 hrs salt test**.



STAINLESS STEEL or SS. Complies to BS EN 10088-2: 2014. Products are mainly used in harsh environments such as clean rooms, food processing, wash down areas, oil and gas. Armorduct offer two grades of stainless steel material:

304 GRADE is the most widely used type of stainless because it has a high resistance to rust. It endures corrosion from most oxidizing acids and is often used for factory, food and kitchen installations. Although it is highly resistant to rust it can be liable to corrosion from chloride solutions that can create localised areas of corrosion called pitting. This can spread beneath the protective layers and compromise the sub-structure of the material.

316L GRADE also known as marine grade stainless, has almost the same physical and mechanical properties as 304 grade. The difference is that 316 stainless steel comprises of around 2 to 3 percent molybdenum, which increases corrosion resistance especially against chlorides and other industrial solvents. 316 stainless steel is frequently used in many industrial installations including processing chemicals, as well as high saline environments such as coastal regions or where the use of de-icing salts is a regular occurrence.

When ordering a stainless finish please add the grade to your part code i.e

ASB-GTT33/SS304

IP4X Ingress Protection dictates that a 1mm probe must not penetrate the trunking and that all couplings of length-to-length and length-to-accessory must have a factory made sealing solution. Armorduct IP4X Trunking systems have been designed to eliminate the butt joints and ensure covers can only be removed by means of a tool or deliberate action. Screwed connections have been designed to withstand the mechanical stresses during the installation and normal use and will not cause damage to cables when correctly inserted. Screwed connections are generally isometric threads fully compliant with tests according to the ISO standard.

Title	Cable Trunking Systems for Electrical Installations
Compliance / Standards	UKCA / CE BS EN 50085-2-1: 2006 + A1: 2011 Low Voltage Directive 2014/35/EU The Electrical Equipment (Safety) Regulations 2016 Material: Pre Galvanised Steel BS EN 10346:2015
Minimum Transport & Storage Temperature	-25 °C
Maximum Transport & Storage Temperature	+60 °C
Minimum Installation & Application Temperature	-25 °C
Fire	Non flame propagating
Continuity	Our cable trunking systems have electrical continuity characteristics
Insulation	Cable trunking systems do not have electrical insulating properties
Separation	Single compartment cable trunking systems do not have internal protective partition
Installation Positions	Cable trunking products can be mounted on a wall or ceiling
Screw Tightening	Screws intended to be tightened should be done so with a screwdriver at a torque of 2Nm
Assembly	Components fit together using integral couplers & hank bush fixings
Maximum Voltage for Installations	1000v a.c & 1500v d.c

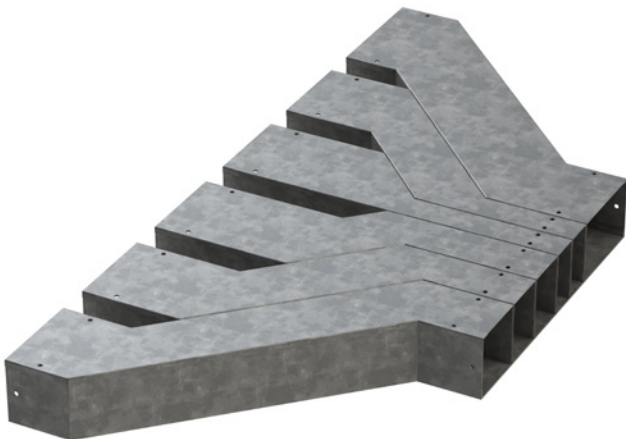
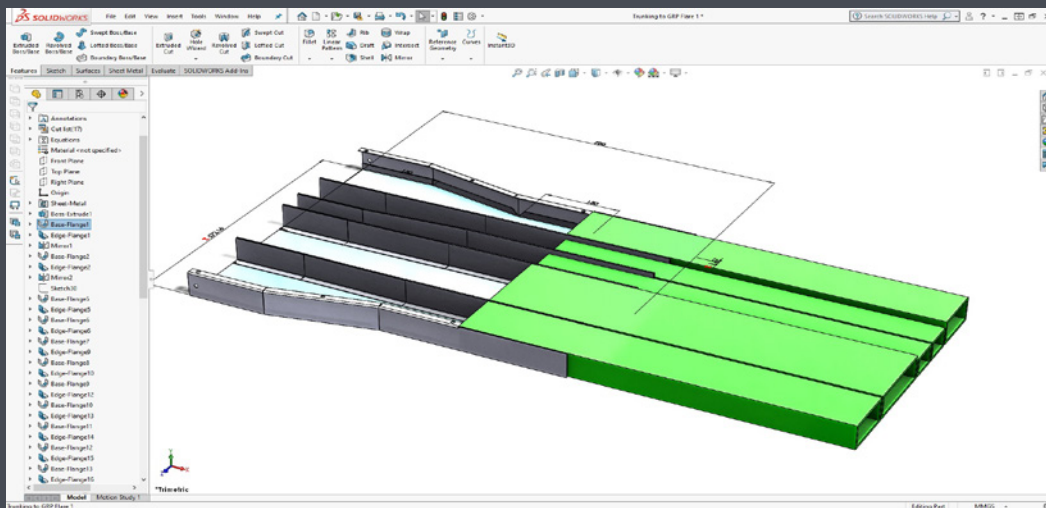


CALL
01384
233445

BESPOKE SERVICES

Our engineering department is dedicated to designing and manufacturing bespoke solutions for all onsite requirements and specialist containment needs.

CAD DRAWINGS AND DEVELOPMENT SAMPLES AVAILABLE.



Definitions

- 1.1 Buyer means the person who buys or agrees to buy the goods from the Seller.
- 1.2 Conditions mean the terms and conditions of sale set out in this document and any special terms and conditions agreed in writing by the Seller.
- 1.3 Delivery Date means the date specified by the Seller when the Goods are to be delivered.
- 1.4 Goods mean the Cable Management Products which the Buyer agrees to buy from the Seller.
- 1.5 Price means the price for the Goods excluding carriage, packing, insurance and VAT unless otherwise stipulated in writing.
- 1.6 Seller means Armorduct Systems Ltd.
- 1.7 Contract means the agreement entered into between the Seller and the Buyer for the sale and purchase of the Goods.

1. General

The Seller offers to sell the Goods described or referred to in the quotation submitted to the Buyer for the price or prices stipulated. Deliveries shall be made in accordance with the terms set out in the quotation or otherwise proposed by the Seller to the Buyer.

2. Variation

These Conditions of Sale apply to all Contracts for the sale of Goods and/or the supply of services entered into by Armorduct Systems Ltd. They shall apply to the exclusion of and in preference to all and any other terms, conditions or provisions enforced upon, delivered with or referred to in any purchase order, acceptance of order, letter or statement delivered or submitted by the Buyer on behalf of the Buyer or any counter offer made by the Buyer to the Seller whether in negotiation or at any stage in dealings between the Seller and the Buyer and the Seller will not be bound by any standard or printed terms, furnished by the Buyer in any of its documents at any stage in the negotiations or attached to any order submitted by the Buyer to the Seller Save to the extent that any amendment to or variation of the Seller's Terms and Conditions of Sale are expressly accepted in writing by the Seller.

3. Description

All descriptions of the Goods are given by way of identification only and the use of any such description shall not constitute a sale by description. The Seller maintains a policy of continuous product improvement and reserves the right to alter specifications of the Goods without notice at any time before delivery.

4. Sample

If a sample of the Goods has been exhibited to and inspected by the Buyer and/or has been seen working and in operation this Contract shall not constitute a sale by sample nor by reference to the working and operation of the Goods as seen by the Buyer.

5. The Price & Payment

- 5.1 The Price shall be the Seller's price quoted on any price lists available at the time of this quotation or the Price submitted by the Seller to the Buyer whichever shall be the higher and this shall remain valid for a period of 30 days from the date quoted to the Buyer.
- 5.2 Payment of the Price, VAT and all other monies due shall be made within 30 days of the date of invoice.
- 5.3 If the Buyer fails to pay for the Goods within the said 30 day period then the Seller may, without prejudice to any other such remedies available to it: by notice in writing to the Buyer withdraw all credit facilities then granted to the Buyer; and/or charge interest as the rate aforesaid; and/or enter any premises (whether or not of the Buyer) where any of the Goods which might not have been paid for in full (including Goods sold under other Contracts between the Seller and the Buyer) are stored or installed, and recover those Goods; and the Buyer shall use its best endeavours to procure (where required) a right of access for the Seller over any premises not owned or controlled by the Buyer and/or withhold further deliveries (or collections) of Goods ordered by the Buyer until all the Buyer's outstanding accounts with the Seller have been paid in full together with all interest.

6. Delivery

Delivery of the Goods shall be arranged by the Seller at the cost of the Buyer by carrier or such delivery service as the Seller shall nominate to the Buyer's address on the Delivery Date or to such other address as the Buyer shall have previously notified in writing to the Seller. The Buyer shall make all arrangements to take delivery of the Goods and shall ensure reasonable space and area and turning facilities for the delivery vehicles.

7. Acceptance of Goods

- 7.1 No Goods delivered to the Buyer which are in accordance with this quotation and the Contract will be accepted for return without the prior written approval of the Seller on terms to be determined at the absolute discretion of the Seller.
- 7.2 If the Seller agrees to accept any such Goods for return the Buyer shall be liable to pay (in addition to any other charges) a re-stocking and storage charge. Such Goods must be returned by carriage paid to the Seller in their original shipping carton or crate.
- 7.3 Goods returned without the prior written approval of the Seller may at the Seller's absolute discretion be returned to the Buyer or stored at the Buyer's cost without prejudice to any other rights or remedies the seller may have.
- 7.4 If the Buyer properly rejects any of the Goods which are not in accordance with the contract and the agreed specification for the Goods the Buyer shall nevertheless, pay the full price for such Goods unless the Buyer gives written notice of rejection of the Goods to the Seller within three days of delivery to the Buyer's premises (as to which time shall be of the essence)
- 7.5 Returns must be actioned within 30 days of the delivery date.
- 7.6 Any items defined by the Seller as a special or non-standard are non-refundable.

8. Warranties Description and Liability

- 8.1 The Goods shall be manufactured and supplied in accordance with the description contained or described in the Seller's brochures and/or specification (which have been supplied or made available to the Buyer).
- 8.2 The Seller may from time to time make changes in the specification of the Goods which are required to comply with any applicable safety or statutory requirement or which do not materially reduce the quality or fitness for purpose of the Goods.
- 8.3 The Goods are sold with the benefit of the terms of the appropriate Warranty for the Goods supplied to the Buyer: -
 - a) from the date of shipment to the Buyer
- 8.4 If the Seller's engineer upon request of the Buyer is requested to attend the Buyer's premises and inspect the Goods and installation thereof but no fault is found then the Buyer will be charged for the cost incurred by the Seller for the visit and inspection of such engineer.
- 8.5 Except where the Buyer is dealing as a consumer as defined in the Unfair Contract Terms Act 1977 as amended or varied from time to time all other warranties conditions or terms relating to fitness for purpose merchantability description condition or otherwise and whether applied by statute or implied by Common Law or otherwise are hereby excluded.

9. Loss or Damage in Transit

The Seller shall not be liable for any damage, loss, non-delivery or shortage suffered by the Goods whilst in transit unless the Buyer has given written notice of any claim to the Seller within 3 days of delivery (or of the scheduled delivery date in the case of total non-delivery), or within such longer period as the Seller may notify to the Buyer which is sufficient to enable the Seller to comply with its carrier's requirements for claims.

10. Retention of Title

- 10.1 The Goods shall be at the Buyer's risk from the time of delivery.
- 10.2 Notwithstanding the delivery of the Goods to the Buyer the property and title in the Goods shall remain with the Seller and shall not pass to the Buyer until:

- (a) The Buyer shall have paid the Price plus VAT and all other monies due in full; and
 - (b) Shall have paid all other sums outstanding and due from the Buyer to the Seller.
- 10.3 Until the title, property and the Goods are passed to the Buyer in accordance with these provisions the Buyer shall:
- (a) Hold the Goods in a fiduciary capacity as the Seller's bailee;
 - (b) Where this is practicable shall store the Goods separately from other goods, so that they may be readily identified as the Seller's property;
 - (c) Upon demand, return the Goods to the Seller or allow the Seller's authorised personnel and vehicles access to any premises where they may be stored in order to recover them and provide facilities for their collection and recovery as may be reasonable and properly required.
 - (d) Not resell or otherwise deal with the Goods, except with the written consent of the Seller provided that if the Buyer shall nevertheless deal with or sell the Goods whether or not with the Seller's consent the entire proceeds of sale or otherwise of the Goods shall be held in trust for the Seller and shall not be mixed or intermingled with any other money of the Buyer or paid into any overdrawn Bank Account and shall be maintained separately and at all material times shall be identified as the Seller's money.
 - (e) The Buyer shall not pledge or in any way charge by way of security any of the Goods.
 - (f) The Buyers shall insure and keep insured the Goods to their full price and value against all reasonable risk to the reasonable satisfaction of the Seller until the date when the property and title in the Goods passes from the Seller to the Buyer and shall produce evidence thereof to the Seller upon request.
 - (g) The Buyer shall keep the Goods in good order and repair and functioning properly pending the date when the property entitlement shall pass to the Buyer.

11. Trade Marks

The Buyer shall not remove, alter, deface or tamper with any of the marks, names or numbers affixed to or marked on the Goods, or allow anyone else to do so.

12. Force Majeure

If manufacture and/or delivery is delayed by any cause beyond the reasonable control of the Seller a reasonable extension of time for delivery shall be granted and the Buyer shall (if reasonably required) pay such reasonable extra charges as shall have been occasioned by the delay.

13. Installation

The Seller will only be liable in respect of installation for the Goods carried out by itself, its employees, agents or authorised or approved contractors or sub-contractors, but will not be liable in any case where there are direct contractual relations between the Buyer and any other party not being the Seller. The Buyer shall be responsible for the safety of the personnel of the Seller or of its sub-contractors whilst on the Buyer's premises or the premises where the Goods are being installed, and shall comply with all relevant statutory requirements and shall maintain adequate insurance against the appropriate risks and as required by law.

14. Liability and Limitation

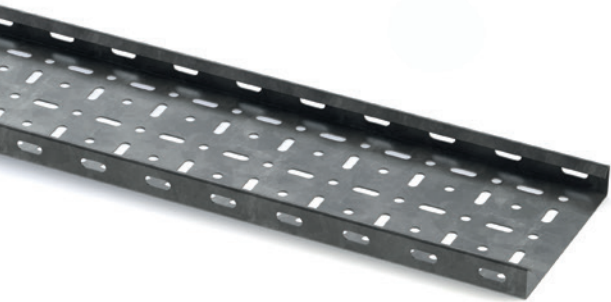
The Seller shall be under no liability whatever to the Buyer for any indirect loss and or expense (including loss of profit) suffered by the Buyer arising out of a breach by the Seller of this Contract and in the event of any breach of this Contract by the Seller the remedies of the Buyer shall be limited to damages only and in no circumstances shall the liability of the Seller exceed the price of the Goods.

15. Jurisdiction

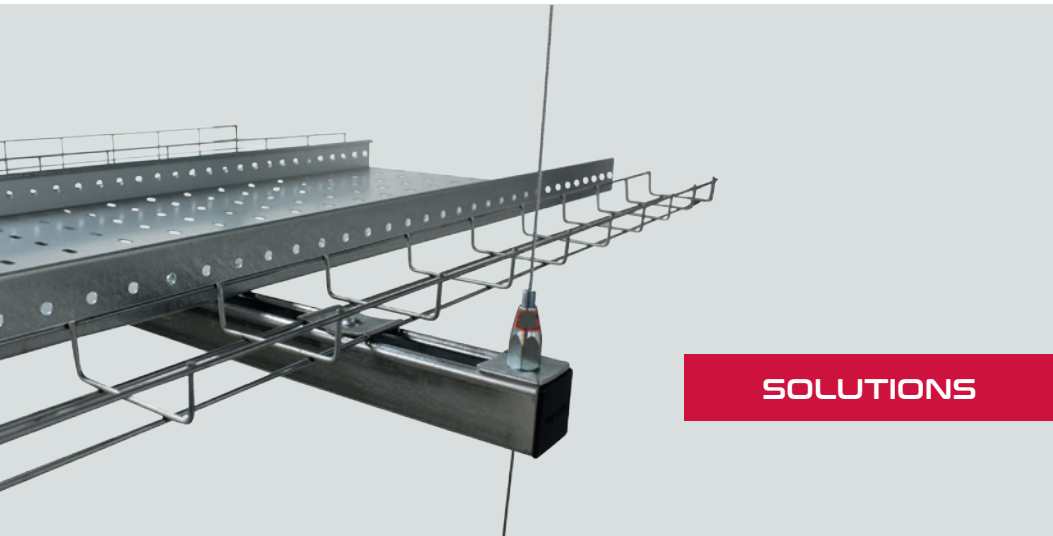
This Contract is subject to the law of England and Wales.

With three specialist divisions, Hudson Group offers one of the most comprehensive cable management propositions in the industry.

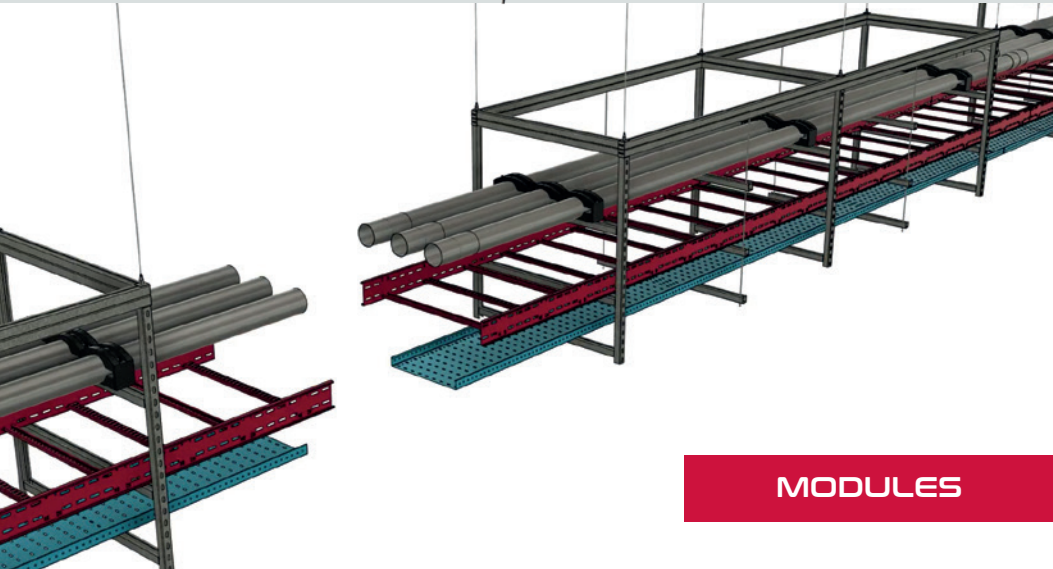
Our experience and expertise across manufacturing, prefabrication, design, modularisation and materials, means we're able to provide cable support solutions for every project, in any environment.



COMPONENTS



SOLUTIONS



MODULES



Armorduct
25 YEARS

MANUFACTURING
the **difference**

01384 233445

sales@armorduct.com



© Armorduct Systems Ltd 2023

All information is believed to be correct at the time of publication. Errors and omissions excepted.

armorduct.com